

KROSS X STUDIO

MT1: CHRONOMÈTRE TOURBILLON

**7 JOURS
USER MANUAL**

TABLE OF CONTENTS

MT1: CHRONNOMÈTRE TOURBILLON 7 JOURS

Overview 3

Movement winding 5

Time setting 6

Interchangeable straps 7

Buckle opening 8

Buckle release 8

GENERAL

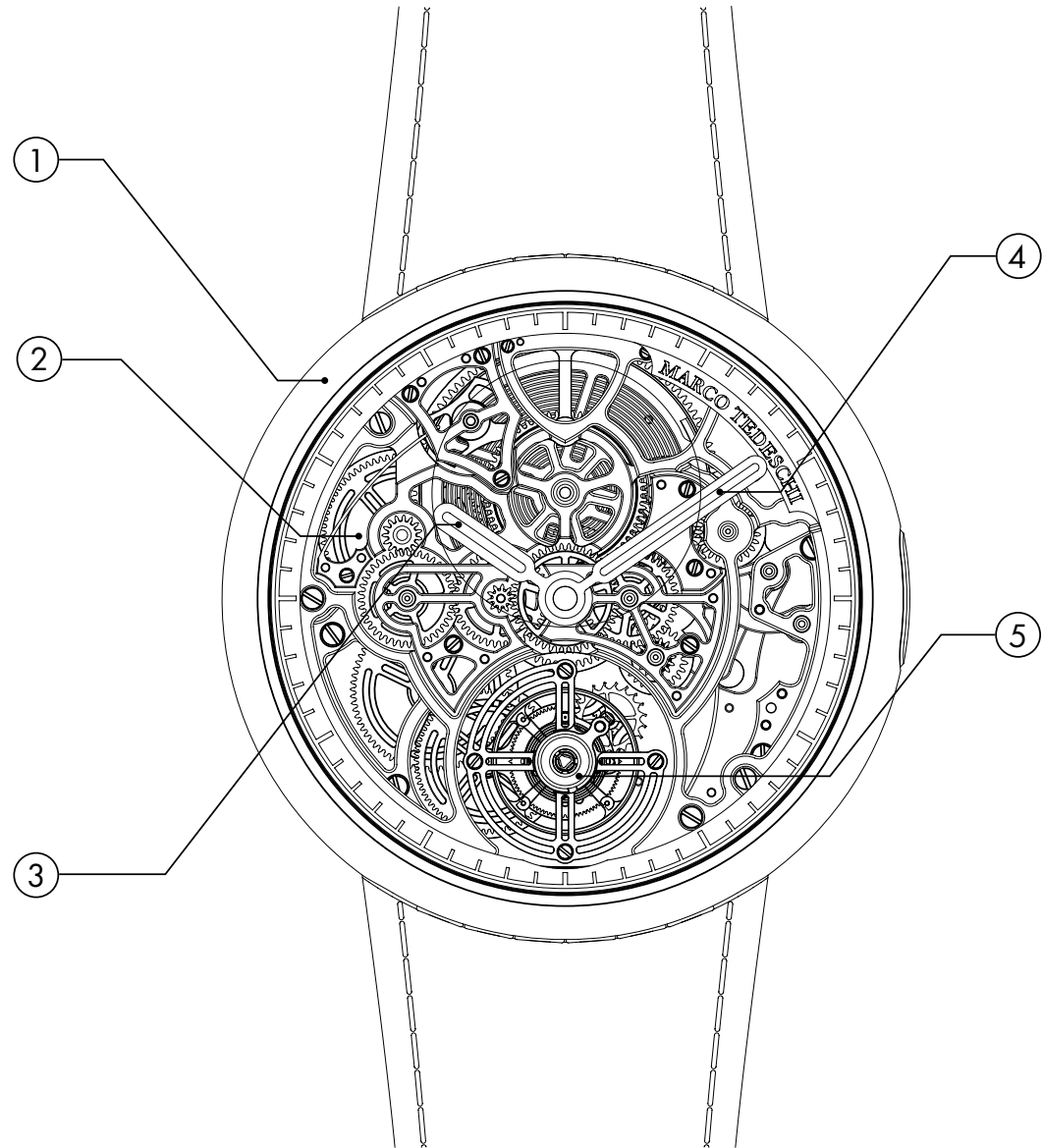
Regular care 9

Tech specs 10

MT1: CHRONOMÈTRE TOURBILLON 7 JOURS

FRONT

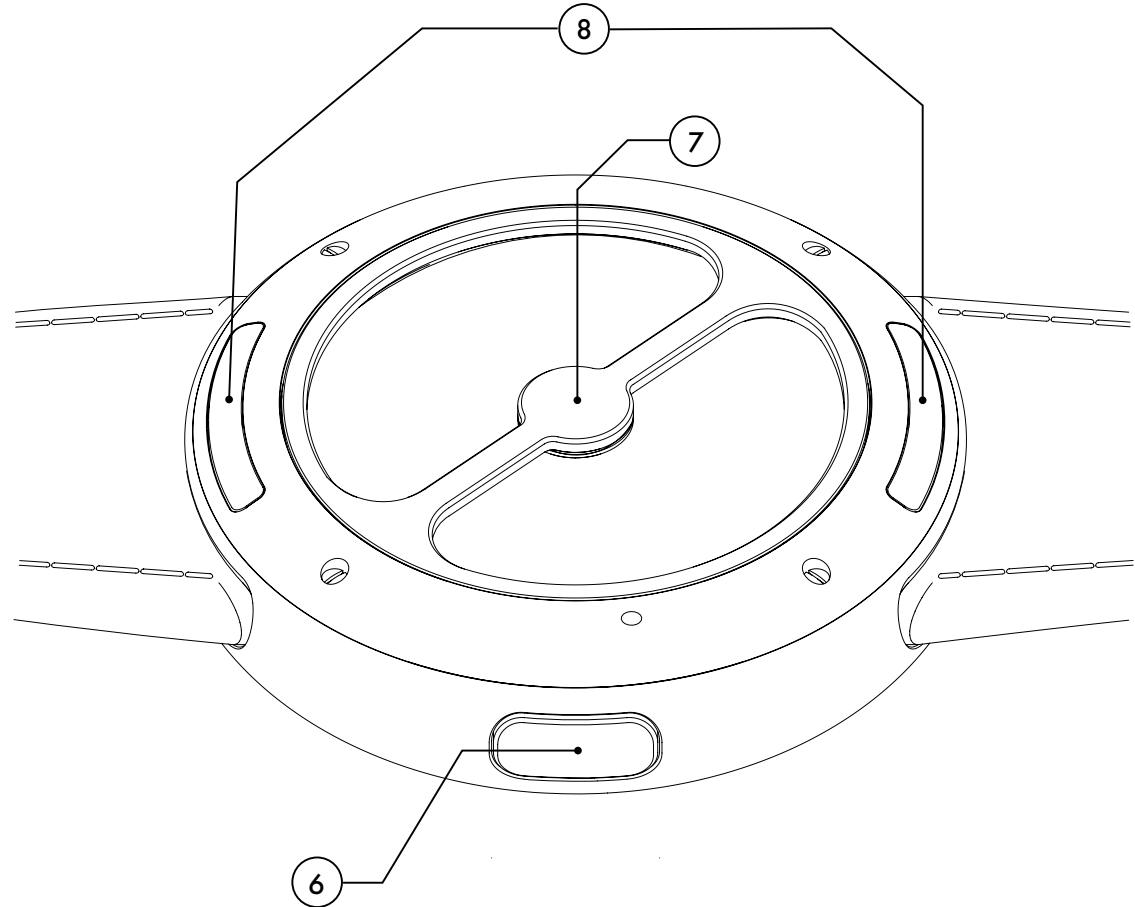
- 1 Case
- 2 Dial
- 3 Hour hand
- 4 Minute hand
- 5 Flying tourbillon cage



MT1: CHRONOMÈTRE TOURBILLON 7 JOURS

BACK

- 6 Time set push button
- 7 D-ring crown
- 8 Strap release push buttons

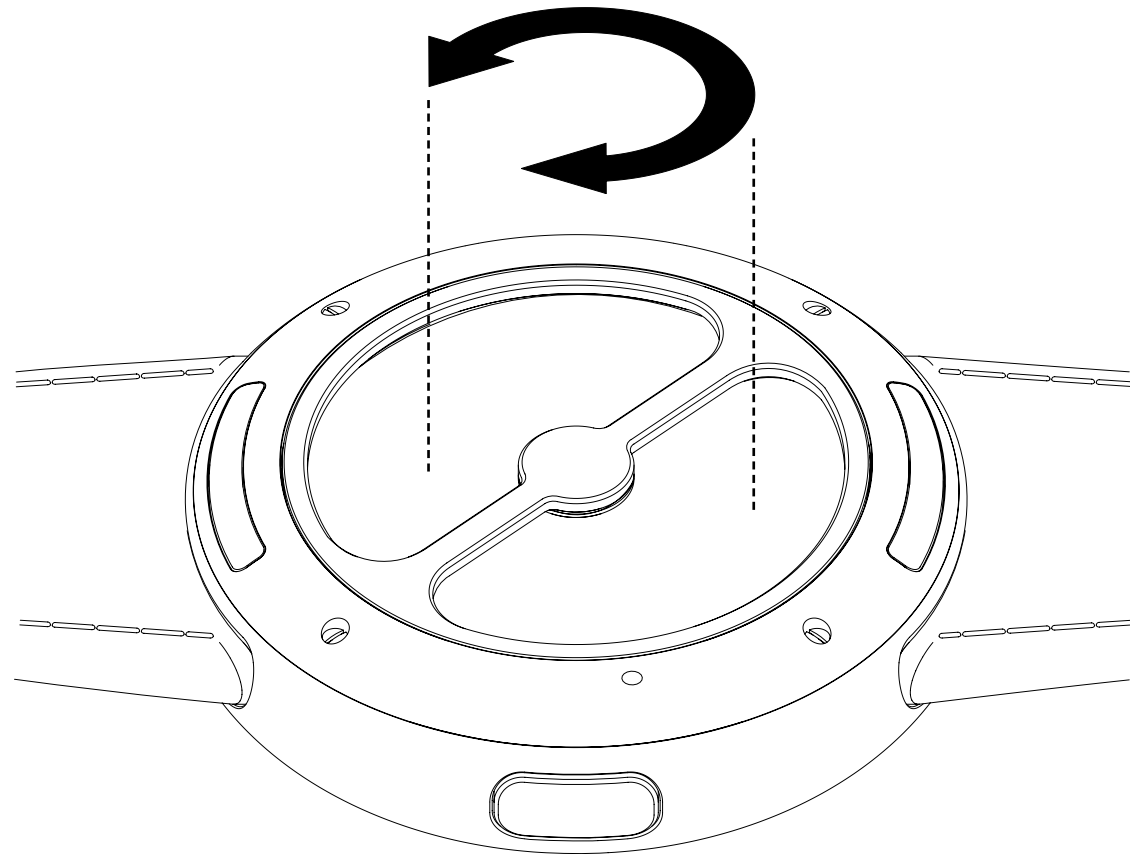


MOVEMENT WINDING

The KS 7'010 manual-winding mechanical movement delivers a 7-day power reserve. After this period, you must wind your watch to provide the necessary energy for it to run.

In order to maintain perfect symmetry, the case has no crown at 3 o'clock. It is ingeniously centered on the back of the case. This mechanism enables faster winding than with a traditional crown.

To wind your watch, use a finger to rotate the crown until you feel some resistance, meaning that the watch has been wound. To fully wind your watch, 23 complete turns are needed.



TIME SETTING

The peripheral hour display mechanism is achieved through a planetary gear system mounted on two ball bearings, freeing the tourbillon from any obstruction.

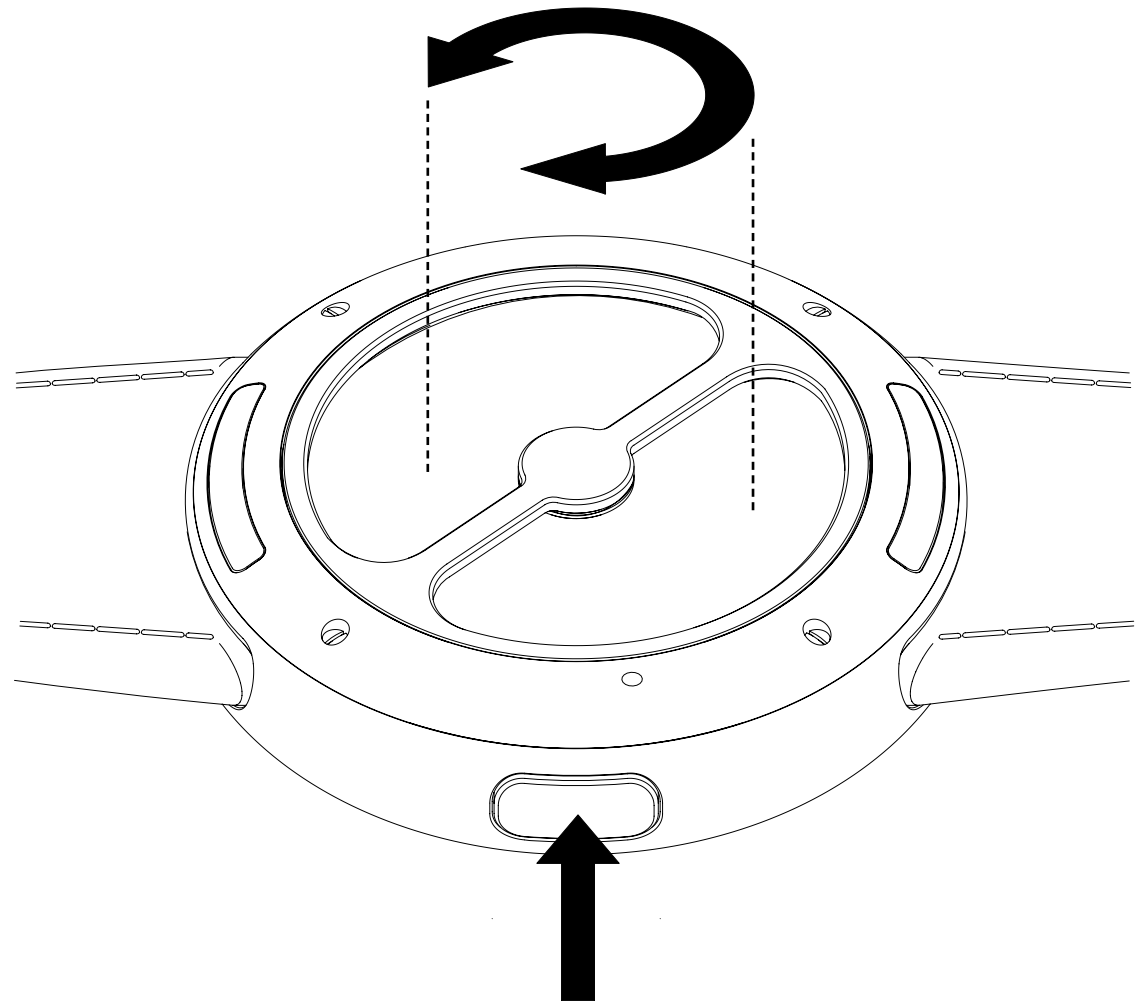
To set the time, press the push button placed at 3 o'clock of the case and synchronously rotate the crown at the back of the watch clockwise until the exact time is set.

Once the time has been set, it is essential to disengage the setting mechanism.

To do so, hold the watch with its back facing you, then turn the ring counterclockwise. A clicking sound will confirm that the mechanism has been properly disengaged.

Note:

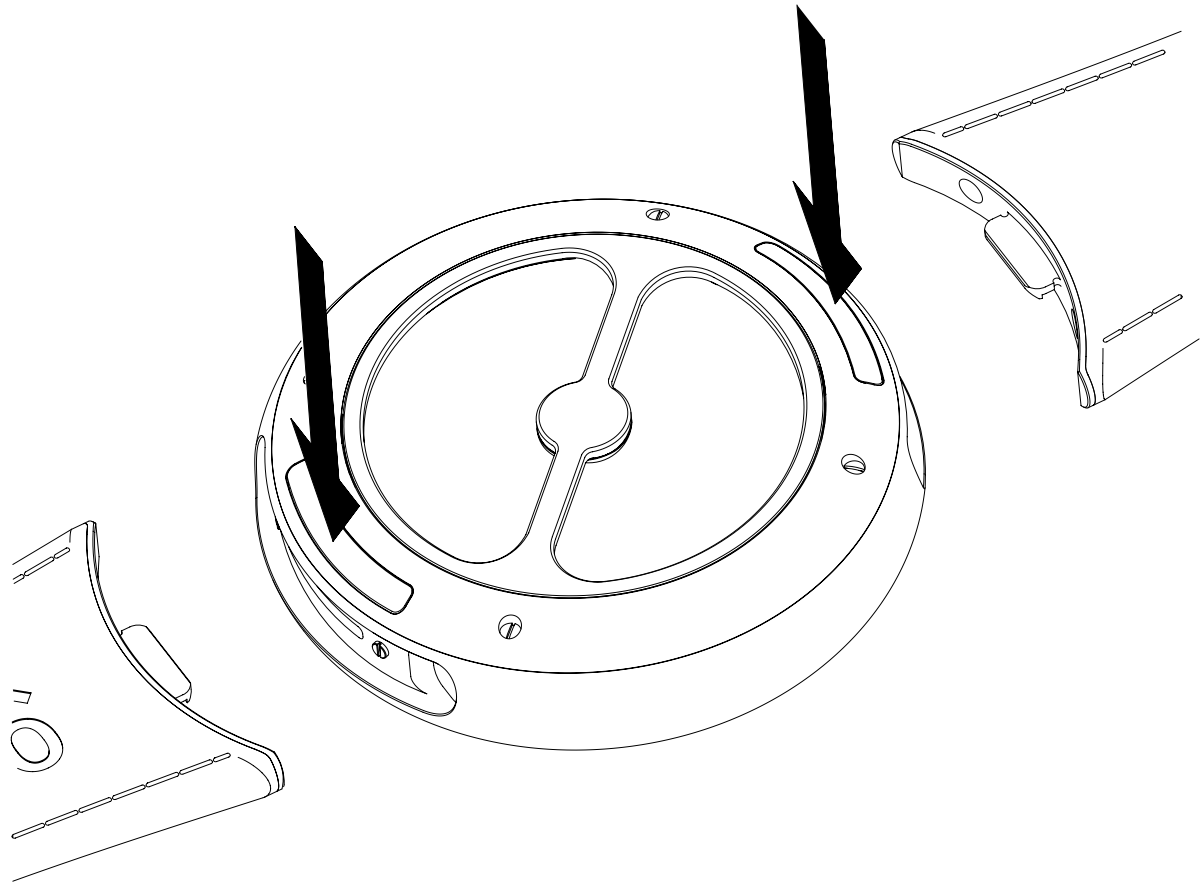
You might turn the crown counterclockwise. In this case, go back 10 minutes before the actual time. Then, turn it clockwise until adjusting the exact time. It enables the gear train to go back to its functioning position.



INTERCHANGEABLE STRAPS

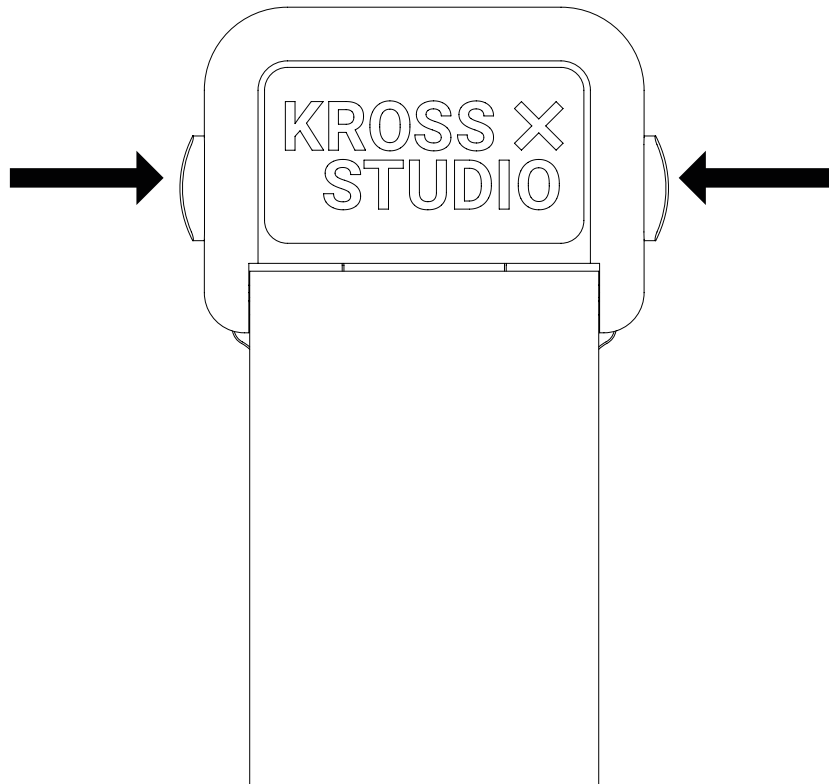
The MT1: Chronomètre Tourbillon 7 Jours is equipped with an interchangeable strap system, a practical feature where two quick-release buttons are hidden on the underside of the case.

Push each button to release the strap.



BUCKLE OPENING

Press simultaneously the two push buttons located on the sides of the clasp to open the buckle.

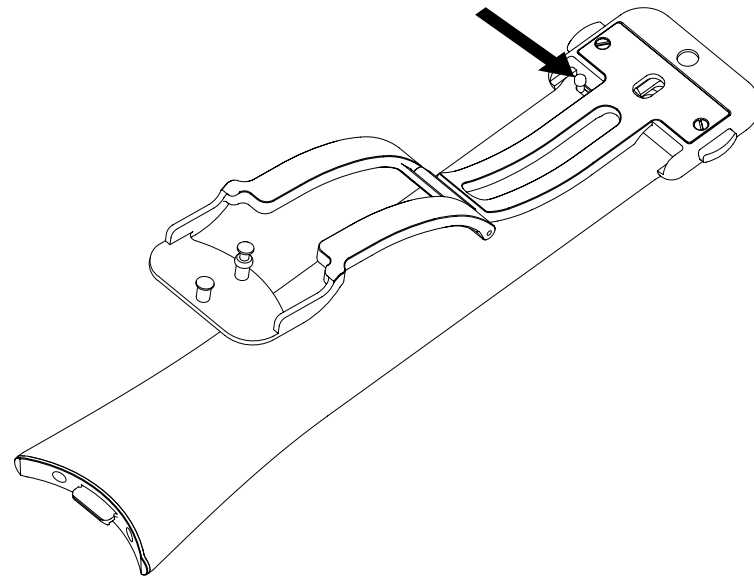


BUCKLE RELEASE

To detach the buckle, no tools are required. Simply pull the lever located under the clasp and it will release the strap.

To fix the buckle, start by inserting the right side of the buckle on the spring bar. Pull the lever and insert the left side.

Make sure the spring bar is securely in place by pulling few times the strap.

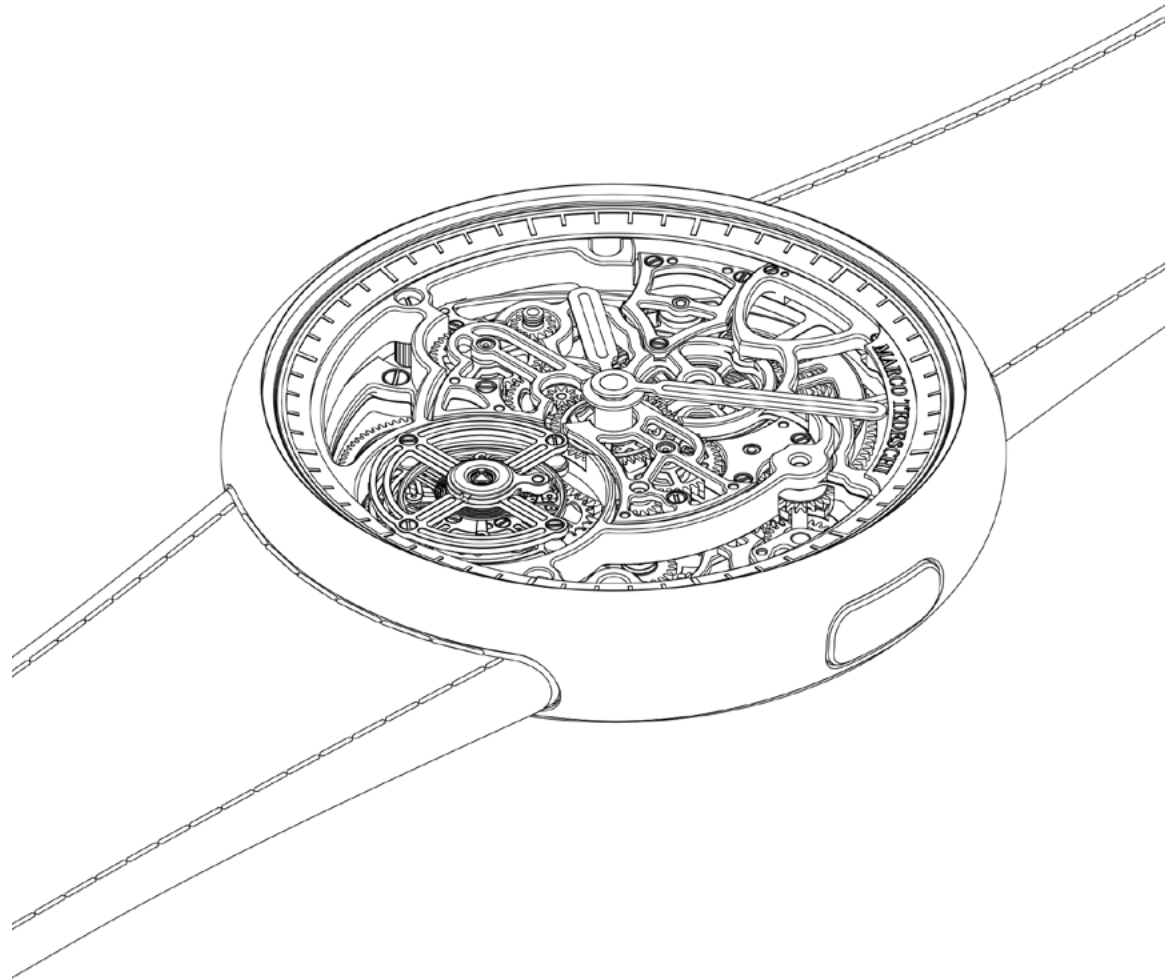


REGULAR CARE

REGULAR CARE OF THE MT1: CHRONOMÈTRE TOURBILLON 7 JOURS

The tourbillon remains one of the main horological complications and bears the mark of the most talented watchmakers. Caution and care are required to ensure the longevity of your watch. To handle it properly, a set of gloves and a soft microfiber cloth are provided in a box along with your MT1: Chronomètre Tourbillon 7 Jours. We strongly recommend wearing gloves every time the watch is manipulated for winding or time setting. It will enable a better gripping and help prevent any risk of scratching.

The watch has a water resistance of 30 meters. We recommend avoiding sea water. Clean regularly your watch by wiping down carefully with the soft microfiber cloth. If needed, you may use a solvent-free cleaner to spray on the cloth. Do not spray any liquid directly on the watch.



TECH SPECS

MT1: CHRONOMÈTRE TOURBILLON 7 JOURS

Parts

265

Movement

Caliber

KS 7'010 MT

Jewels

31

Functions

Hours and minutes in the center, small seconds via the tourbillon cage at 06:00

Power reserve

7 days

Parts

205

Frequency

21'600bph / 3Hz

Case

Materials

Grade 5 titanium

Thickness

15.30mm

Water resistance

30m or 3ATM

Thickness without crystal

10.30mm

Diameter

44mm

Case back

Material

Engraved grade 5 titanium

Interchangeable straps

Each timepiece comes with two customized set of straps.

The deployant buckle clasp is in grade 5 titanium
