

GAME OF THRONES™
HOUSE OF THE
DRAGON™

KROSS X
STUDIO

**GAME OF THRONES - HOUSE OF THE DRAGON
COLLECTOR SET**

USER MANUAL

TABLE OF CONTENTS

GAME OF THRONES DRAGON CENTRAL FLOATING TOURBILLON

Overview 3

Movement winding 5

Time setting 6

Interchangeable straps 7

Buckle opening 8

Buckle release 8

THE DRAGON EGG FUNCTIONAL SCULPTURE

Overview 9

GENERAL

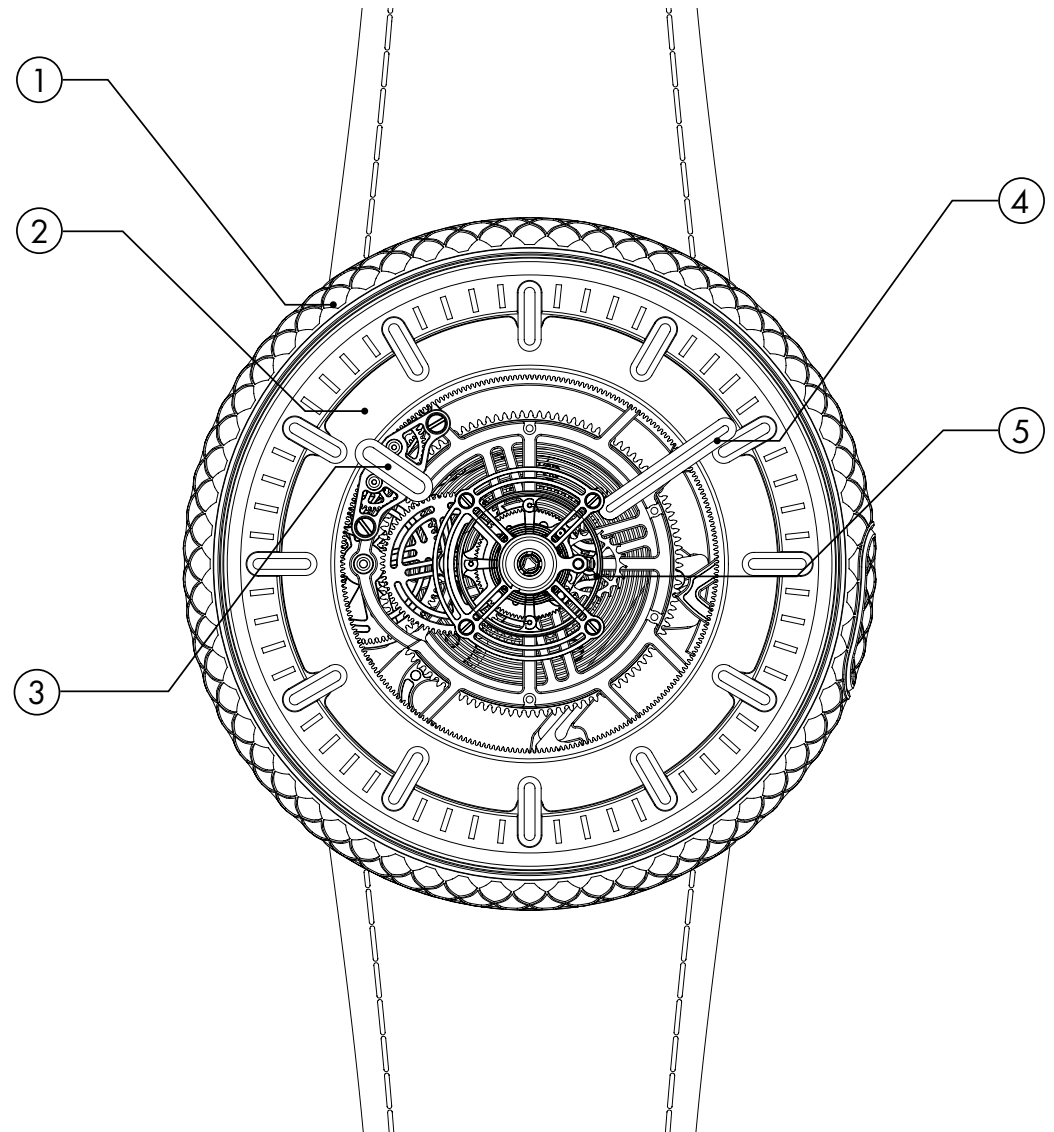
Regular care 10

Tech specs 11

DRAGON CENTRAL FLOATING TOURBILLON

FRONT

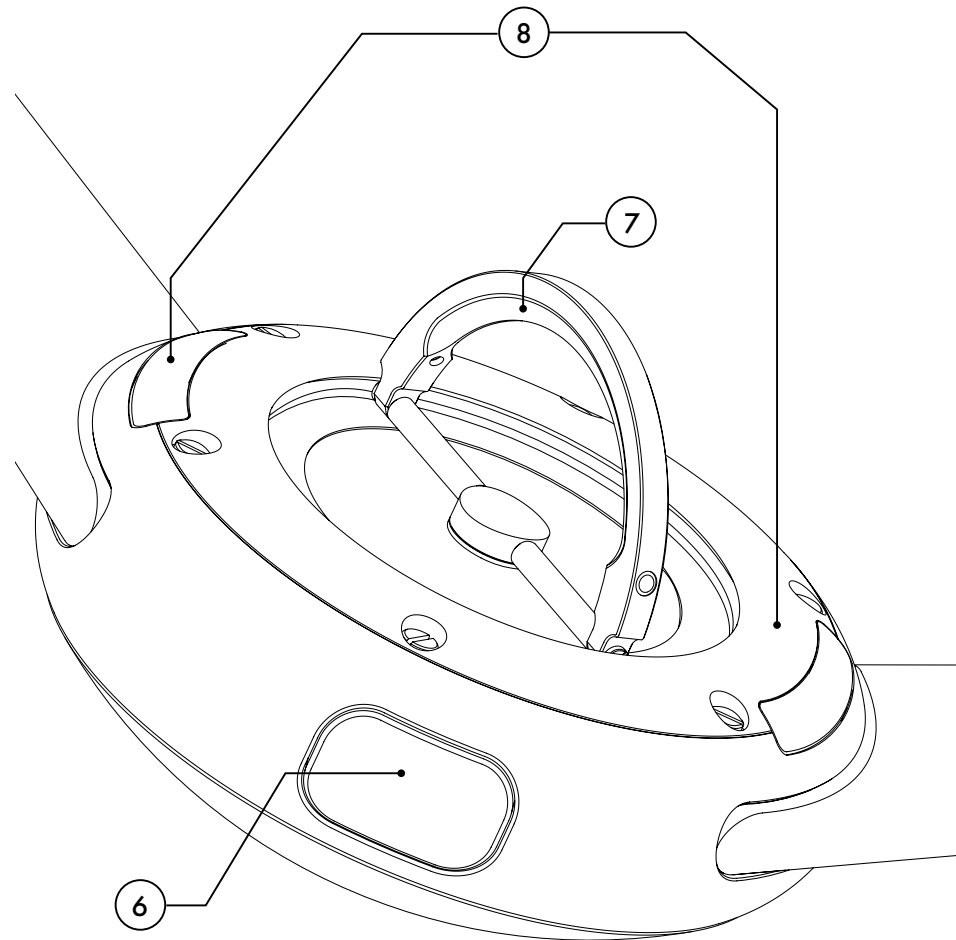
- 1 Case
- 2 Dial
- 3 Hour hand
- 4 Minute hand
- 5 Floating tourbillon cage



DRAGON CENTRAL FLOATING TOURBILLON

BACK

- 6 Time set push button
- 7 D-ring crown
- 8 Strap release push buttons
"Push to release"

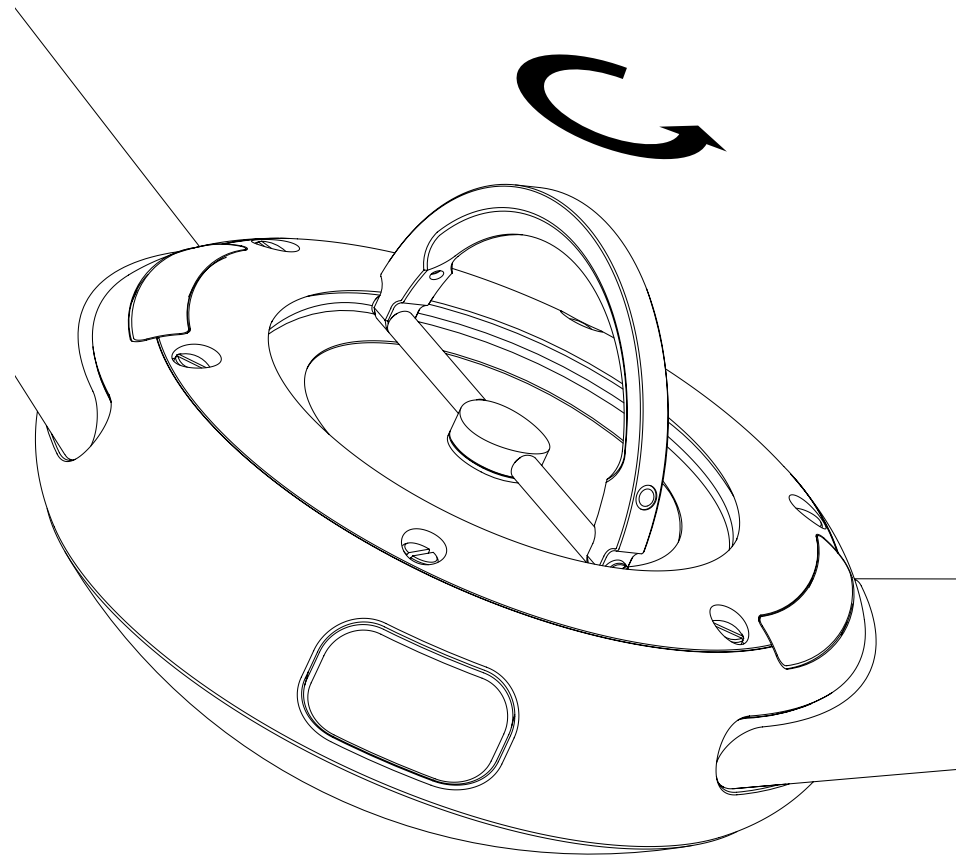


MOVEMENT WINDING

The manual-winding mechanical movement developed in-house delivers a 5 day power reserve. After this period, you must wind your watch to provide the necessary energy for it to run.

In order to maintain perfect symmetry, the GOT Dragon Central Floating Tourbillon case has no traditional crown. On the case back, a D-ring crown is stowed out of sight to help maintain the timepiece's sleek, space-age styling. This mechanism enables faster winding than with a traditional crown.

To wind your watch, lift the D-ring crown and turn it counterclockwise until you feel some resistance, meaning that the watch has been wound. To fully wind your watch, 23 complete turns are needed.



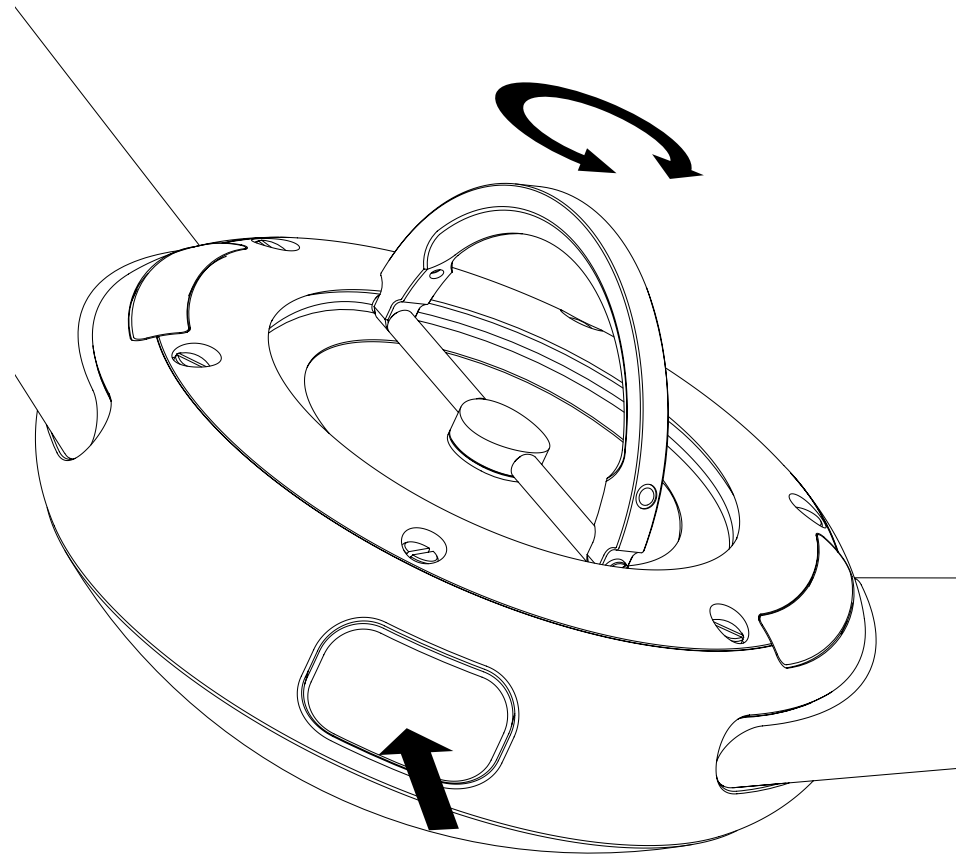
TIME SETTING

The hours and minutes are displayed in a unique peripheral format, made possible by a planetary gear system that orbits 360° around the tourbillon.

To set the time, press the "Time Set" push button. Lift the D-ring crown - located on the case-back - synchronously and turn clockwise until the exact time is set. When setting the time, there may be some resistance as the watch will be wound simultaneously.

Note:

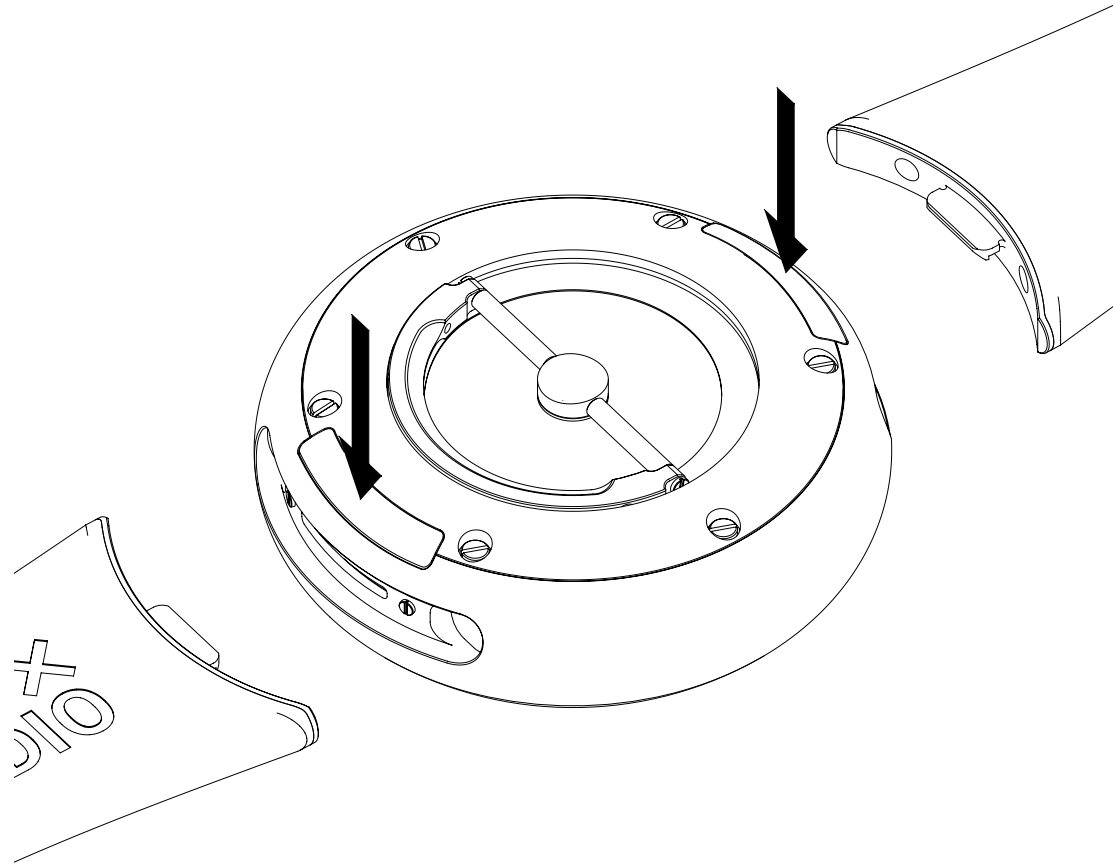
You might turn the D-crown counterclockwise. In this case, go back 10 minutes before the actual time. Then, turn it clockwise until adjusting the exact time. It enables the gear train to go back to its functioning position.



INTERCHANGEABLE STRAPS

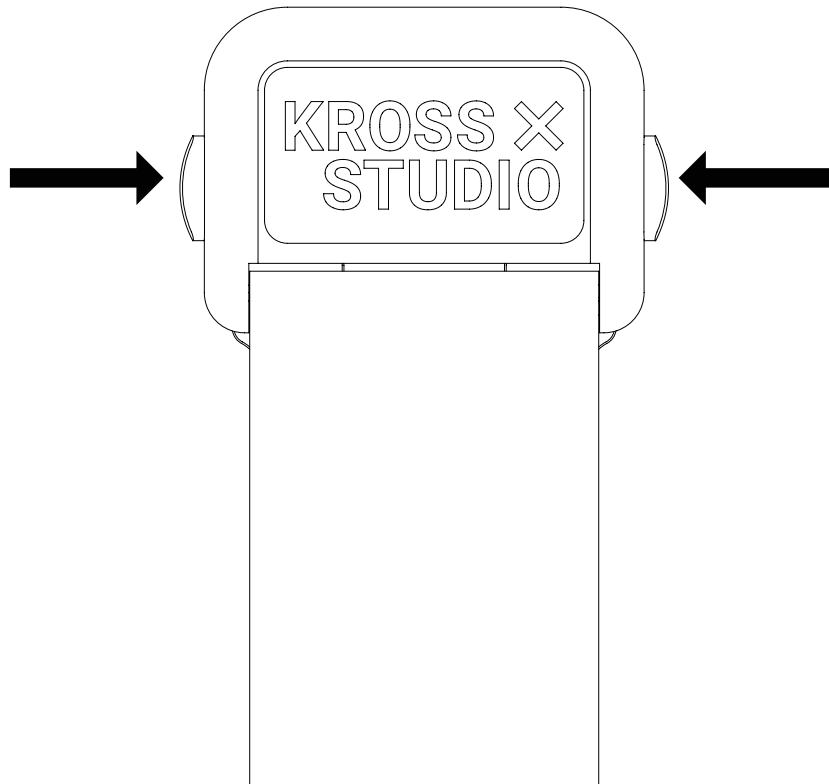
Each unique piece comes with two customized set of straps.

The deployant buckle clasp is in Grade 5 titanium with or without black or brown PVD, depending on the straps and the watch.



BUCKLE OPENING

Press simultaneously the two push buttons located on the sides of the clasp to open the buckle.

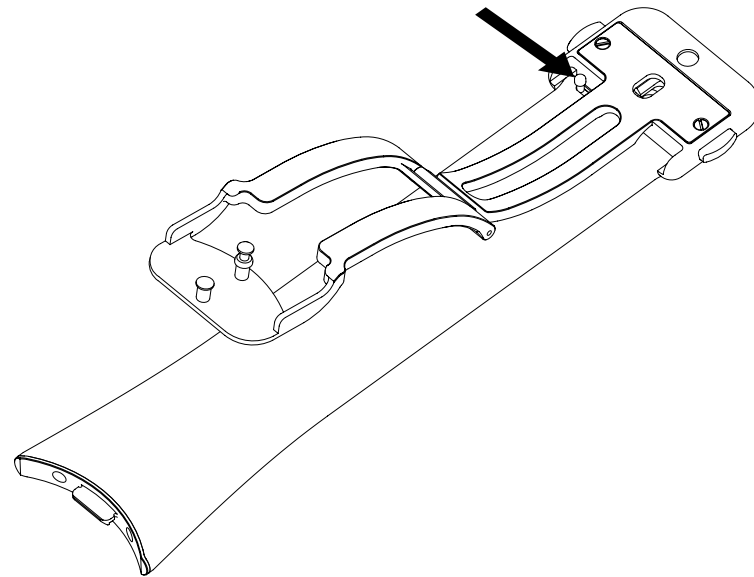


BUCKLE RELEASE

To detach the buckle, no tools are required. Simply pull the lever located under the clasp and it will release the strap.

To fix the buckle, start by inserting the right side of the buckle on the spring bar. Pull the lever and insert the left side.

Make sure the spring bar is securely in place by pulling few times the strap.



DRAGON EGG FUNCTIONAL SCULPTURE

The Dragon Central Floating Tourbillon watch comes along with a stand alone functional art piece, the Dragon Egg. Made of resin and hand painted with airbrush paint, it has been produced in collaboration with renowned french workshop Leblon Delienne.

A watch can be stored inside the Dragon Egg functional sculpture, where two towers maintains a watch cushion. Theses are inspired by Dragonstone castle's towers, the ancestral seat of the Targaryen.

We recommend to put on gloves before manipulating the functional sculpture.



REGULAR CARE

REGULAR CARE OF THE DRAGON EGG FUNCTIONAL SCULPTURE

Use a smooth microfiber cloth to clean the sculpture. Gloves are recommended to prevent any risk of scratching. If needed, you may use a solvent-free cleaner to spray on the cloth. Do not spray any liquid directly on the sculpture.

REGULAR CARE OF THE DRAGON CENTRAL FLOATING TOURBILLON

The tourbillon remains one of the main horological complications and bears the mark of the most talented watchmakers. Caution and care are required to ensure the longevity of your watch. To handle it properly, a set of gloves and a soft microfiber cloth are provided in a box along with your Dragon Central Floating Tourbillon. We strongly recommend wearing gloves every time the watch is manipulated for winding or time setting. It will enable a better gripping and help prevent any risk of scratching.

The watch has a water resistance of 30 meters. We recommend avoiding sea water. Clean regularly your watch by wiping down carefully with the soft microfiber cloth. If needed, you may use a solvent-free cleaner to spray on the cloth. Do not spray any liquid directly on the watch.

TECH SPECS

DRAGON CENTRAL FLOATING TOURBILLON

Parts
298

Each watch is a unique piece

Movement

Caliber KS 7'005	Jewels 27
Functions Manual-winding patented floating central tourbillon	Power reserve 5 days
Parts 220	Frequency 21'600bph / 3Hz

Case

Materials Engraved grade 5 titanium or red gold Dome-shaped anti-reflective sapphire crystal	Diameter 45mm
	Thickness 20mm
Water resistance 30m or 3ATM	Thickness without crystal 12.5mm

Case back

Material
Engraved grade 5 titanium or red gold

Interchangeable straps

Each unique piece comes with two customized set of straps.

The deployant buckle clasp is in engraved grade 5 titanium or red gold.

DRAGON EGG FUNCTIONAL SCULPTURE

Materials
Resin
Watch cushion in microfiber cloth

Dimensions
Height with base 231.5mm (9.11 inches)
Height without base 214.90mm (8.4 inches)
Ø 168mm (6.6 inches)

Weight ≈ 2.2g (≈ 4.8 pounds)
