

KROSS X STUDIO

KROSS STUDIO WATCH WINDER WAYNE ENTERPRISES EDITION USER MANUAL

TABLE OF CONTENTS

Unboxing & regular care 3

Tech specs 4

Assembly 5

Starting up 6

Winding cycle launch 7

General specifications 8

Replacing the batteries 9

UNBOXING & REGULAR CARE

UNBOXING

Thank you for purchasing Kross Studio watch winder - Wayne Enterprises Edition.

As the winder weighs approximately 2kg, it is important to take extreme caution when manipulating it. Handle it with care as negligent manipulation might alter the precision of the winder. The box and the thermoforming foams have been conceived for safe transportation.

In order not to alter the winder during transport, the winding motor is not assembled to its support in the packaging.

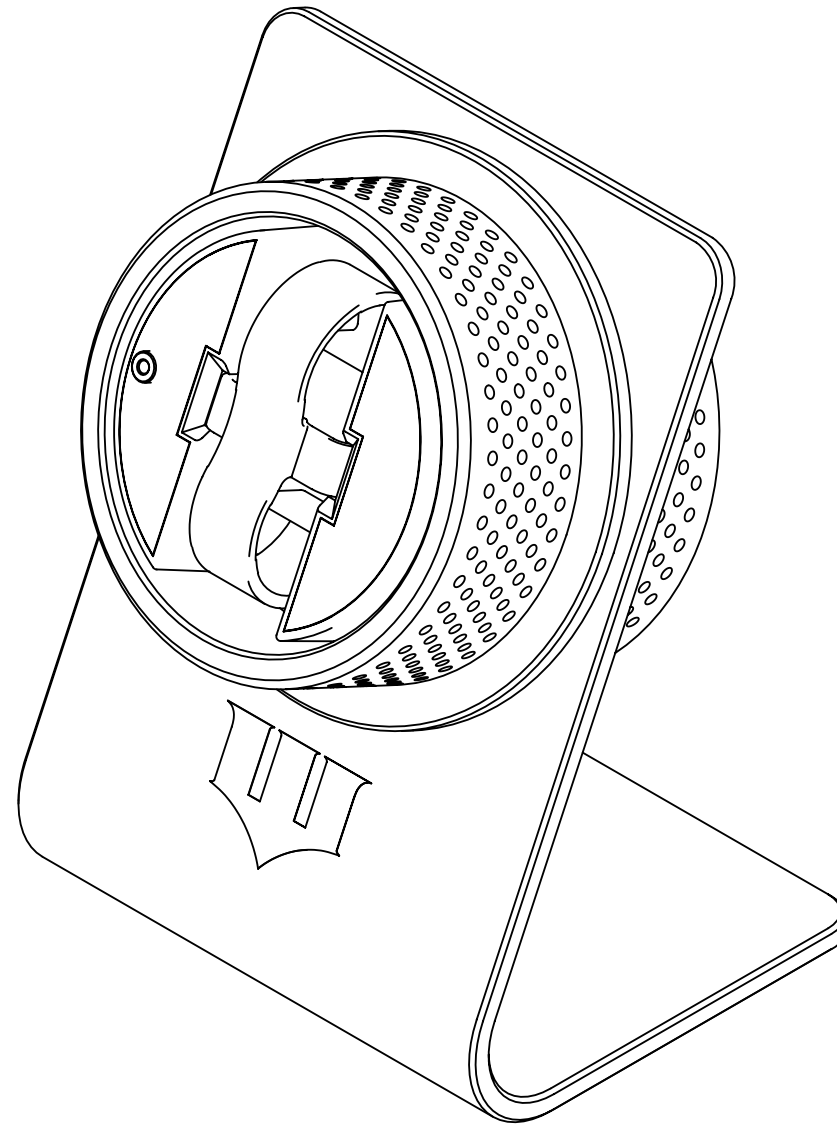
We guide you to assemble your watch winder on page 5 of this manual.

REGULAR CARE

Clean your product by wiping it down carefully with a soft microfiber cloth.

If needed, you may use a solvent-free cleaner to spray on the cloth. Do not spray any liquid directly on the winder.

The watch winder is designed for use in a temperature range from 10°C to 40°C (50°F to 104°F). Using your winder at low temperatures can significantly decrease the battery life.



TECH SPECS

KROSS STUDIO WATCH WINDER WAYNE ENTERPRISES EDITION

General

Model Name

Kross Studio Watch Winder
Wayne Enterprises Edition

Power

4 Lithium/Alkaline
AA 1.5V (LR6) batteries

Limited Edition

Rotation speed

13.6 turns/minute

Reference

DCWEW22

Battery life

Around 2 years

Material

Brushed black anodized aluminum

Configuration

Refer to page 9

Parts

TBC

Dimensions

Length 130mm
(5.1 inches)

Weight 2kg
(4.4 pounds)

Width 150mm
(5.9 inches)

Height 215mm
(8.5 inches)

WAYNE ENTERPRISES KEY

Head

Vertical satin-finished steel

Shaft

Mirror-polished steel

WINDING CASE FUNCTIONING

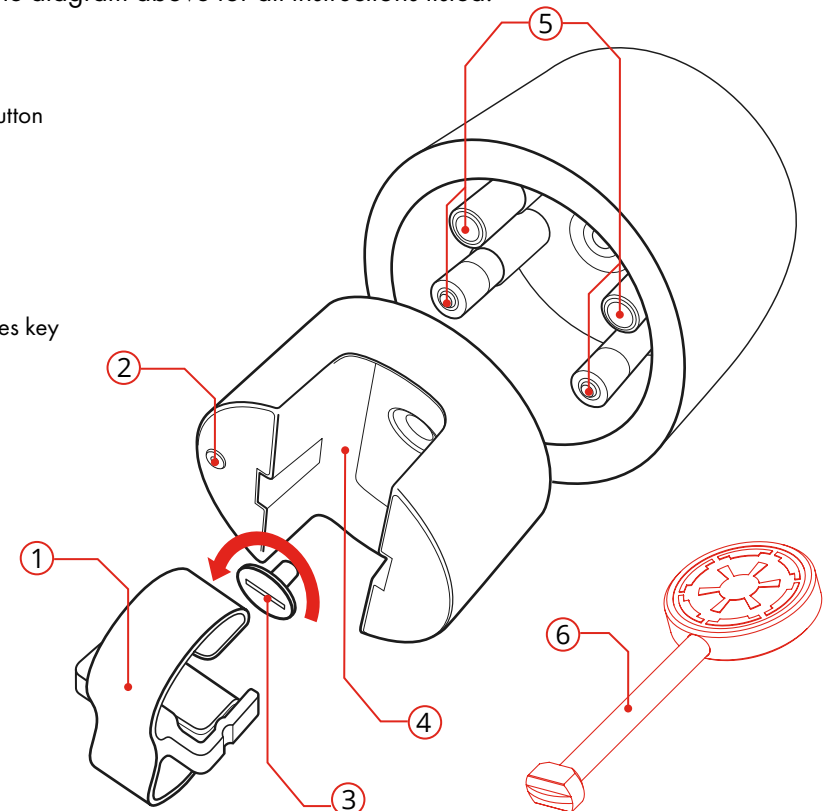
The watch winder has a system that allows the maintaining of the automatic mechanism of your watch.

It is equipped with an infrared sensor that detects the presence of your watch. When there is no watch inside, the device remains in standby mode to avoid battery usage.

Overview

Please refer to the diagram above for all instructions listed.

- 1 Watch support
- 2 ON/OFF LED button
- 3 Central screw
- 4 Winding case
- 5 Battery location
- 6 Wayne Enterprises key



ASSEMBLY

Kross Studio watch winder is equipped with two elements: the winding motor and its support, from which it can easily be disassembled in order to be stored while winding a watch.

Follow the instruction below to safely assemble your watch winder:

1. Press the LED ON/OFF button (2) 2 times to reset the winding motor
This button must be placed at 9 o'clock when the winding motor is in its support
2. Insert the winding motor in the support by placing the screws in front of the matching notches
3. Block the winding motor by turning it to the right until you feel a resistance

To remove the motor from the base, pivot it to the left and carefully remove it.

STARTING UP

To turn on your watch winder, press the ON/OFF button (2). The white LED indicator lights up to confirm that it is turned on. The device will not turn on while the button is held down.

The LED indicator flashes to indicate the battery charge level:

4 flashes: full charge

3 flashes: 60% charge

2 flashes: 30% charge

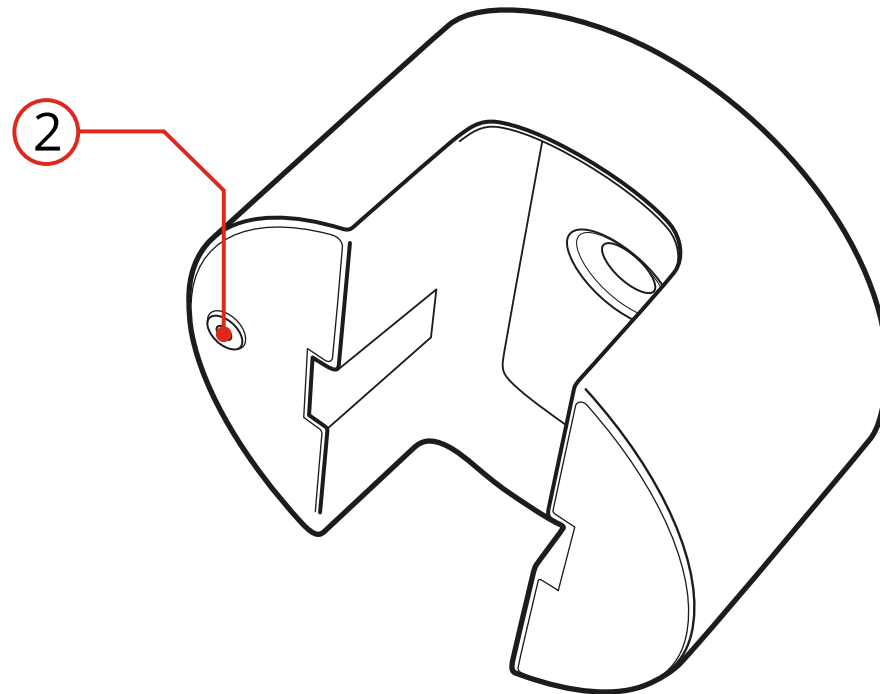
A flash every 2 seconds means it is time to change the batteries.

To replace the batteries, refer to the procedure page 9.

Note: Regardless of the presence of a watch, at startup, the winder will perform a partial rotation in order to re-align to its vertical position, followed by a full rotation to indicate you that it is functioning properly.

Caution: Never manually turn the rotating watch support.

Always stop the motor when removing or attaching the watch to the winder.



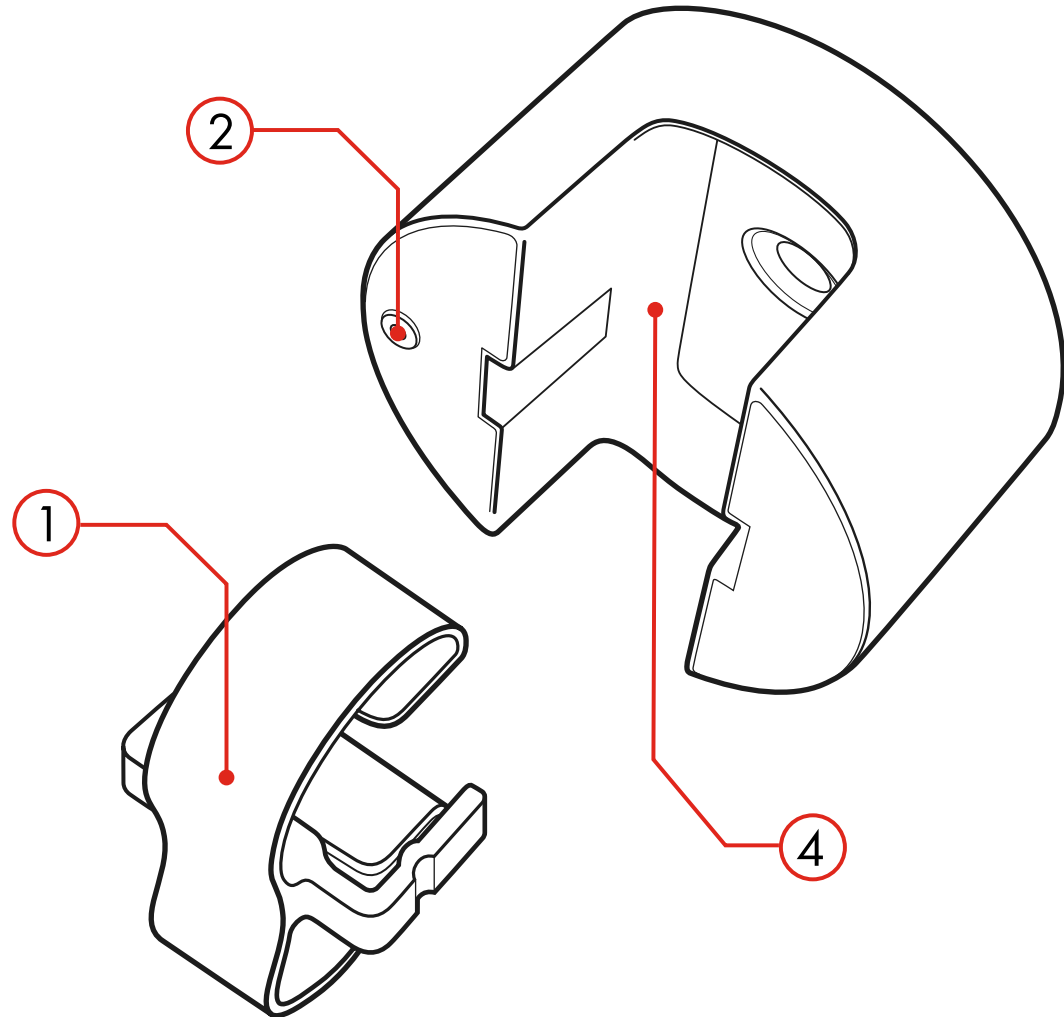
WINDING CYCLE LAUNCH

Before following the procedure below, make sure that the winder is turned off to prevent it from rotating.

To do this, press again the ON/OFF LED button (2). If the unit was turned off, it will turn back on and indicate the battery life level. Then turn off the winder again

Note: After the ON/OFF LED button is released, the LED brightness will gradually fade to dark, indicating to the user that the winder is turning off.

1. Remove the watch support (1) by unclipping it in line with the winding case (4).
2. Position your watch in the centre of the watch support. Adjusting the bracelet may be necessary. Note: if there is no watch on the watch support, the cycle cannot start.
3. Clip again the watch support while having your watch on the watch winding, making sure that the watch indicates midday upwards.
4. Before starting the cycle, make sure that the watch winder is positioned horizontally or in a 30-degree angle.
5. Push the ON/OFF LED button to initiate the start of the cycle.



GENERAL SPECIFICATIONS

The watch winder is pre-configured.

To select another configuration that matches your watch model, we invite you to download the **Kross Watch Winder** app on the App Store or Google Play Store.



Please check your app regularly for upgrades and new features.

Once in the app, just select the caliber that matches your watch model.

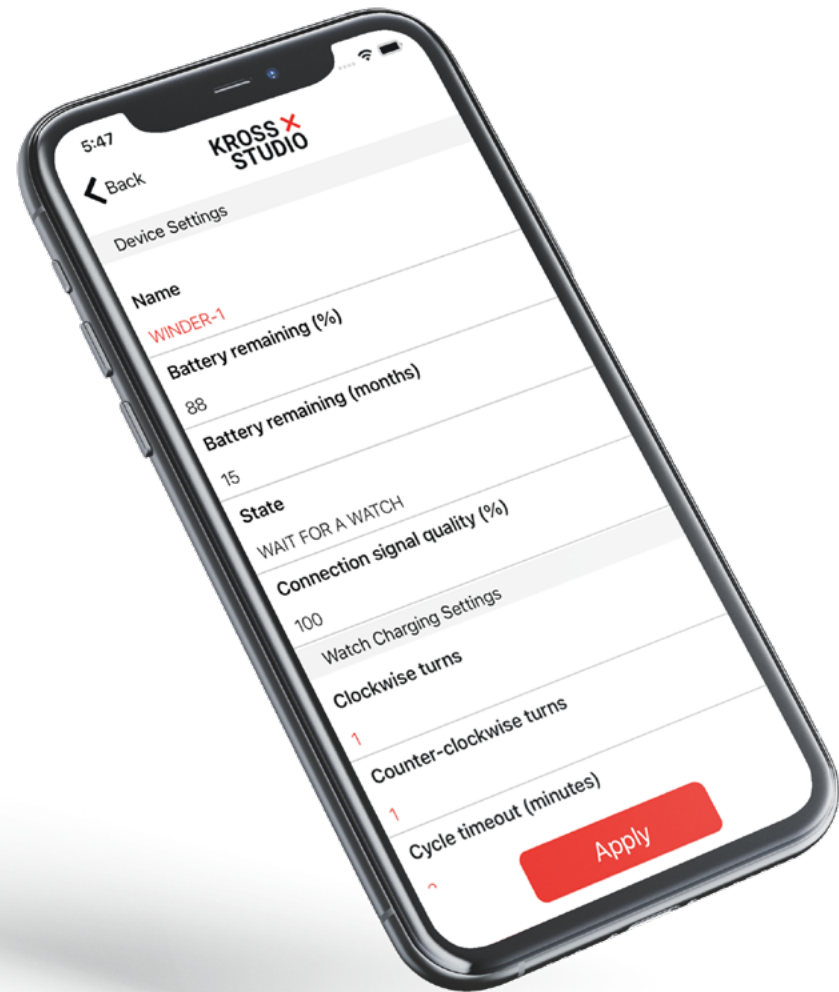
The application allows the configuration of the winding system using the iPhone or Android Bluetooth low energy (Bluetooth Low Energy or BLE) technology.

APPLICATION SPECIFICATIONS

- For devices compatible with Bluetooth 4.0 (Bluetooth Low Energy/ BLE) technology.
- For iOS 10 and higher platforms
- For Android 5 and higher platforms
- 8 languages available

Apple and the Apple logo are trademarks of Apple Inc., registered in the U.S. and other countries. App Store is a service mark of Apple Inc.*
Google, Android, Google Play, and other marks are trademarks of Google LLC.*

*Supported features may vary between platforms and countries with compatibility subject to change.

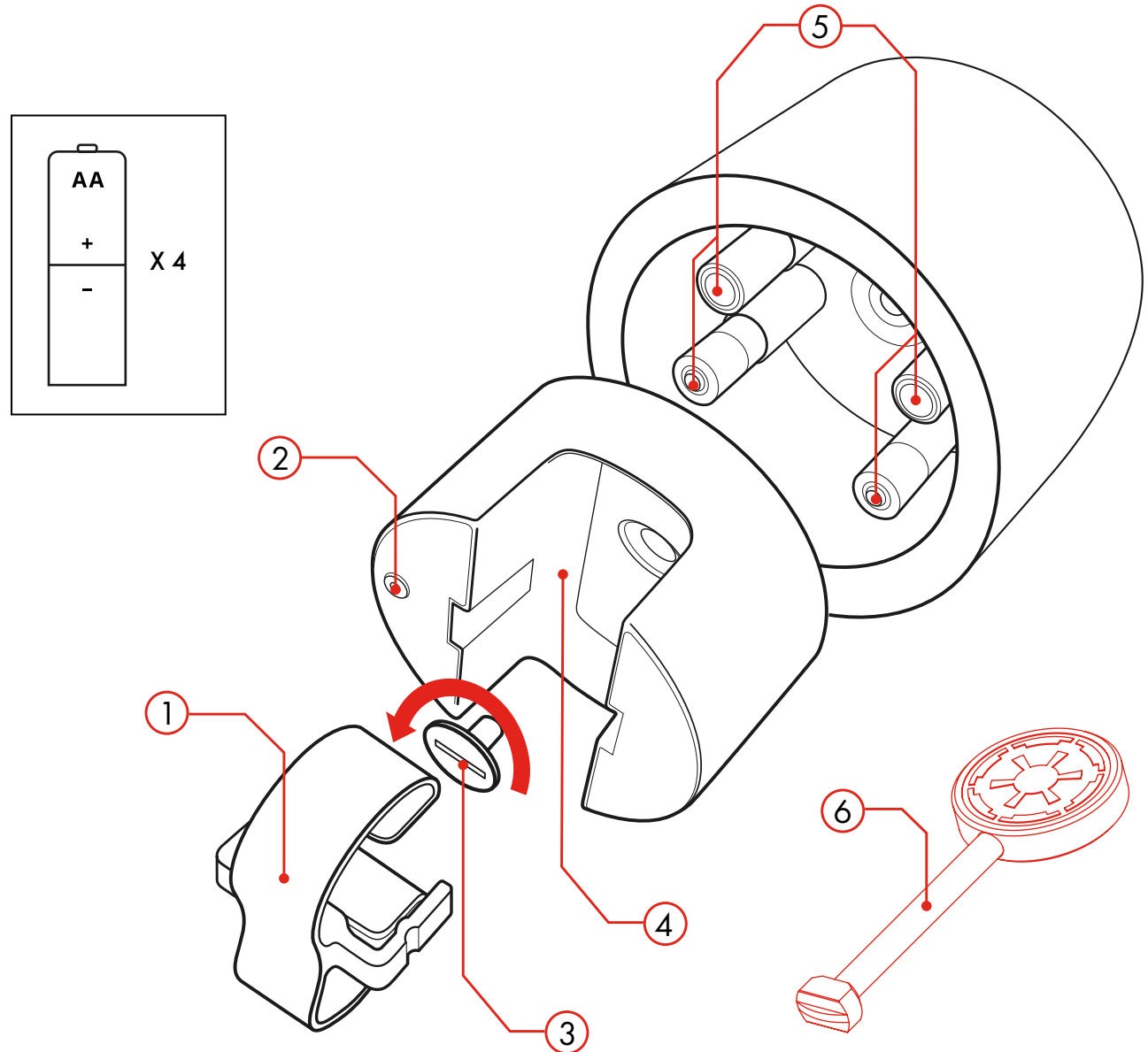


REPLACING THE BATTERIES

When turning on your watch winder, if the LED button flashes once every 2 seconds, it means that you have to change the batteries.

To replace the batteries, proceed as follows:

1. Remove the watch support (1) by unclipping it in line with the winding case.
2. Using the Wayne Enterprises key supplied with your watch winder (6), remove the central screw (3) by turning the key anticlockwise.
3. Once unscrewed, carefully remove the winding case (4).
4. Insert 4 Lithium/Alkaline AA 1.5 (LR6) batteries in their designated location (5), beware the polarity (check the markings).
5. Replace the winding case carefully respecting the central shape of the structure.
6. Replace the central screw (3) with the Wayne Enterprises key (6) while holding the winding case in place.
7. Press the ON/OFF LED button (2) to check that the device is recharged and can start a new cycle. Make sure the ON/OFF LED blinks 4 times after the ON/OFF button is released, meaning that the batteries are fully charged.



Note: The cycle will only start with the presence of a watch on the support.
We recommend to remove the batteries if you do not use your case for a long time.

WARRANTY

Your rotating winding case is guaranteed for two years from the date of purchase. Register your product online on kross-studio.com to be granted a 3-year warranty extension. (total 5 years)

The warranty covers the free replacement or repair of your winder resulting from manufacturing defects, provided that these defects are clearly established as such. It does not cover cleaning work, normal wear and tear of the device as well as damage due to external causes or improper use.

