



TBATT22

The Batman Collector Set

The Batman Central Tourbillon

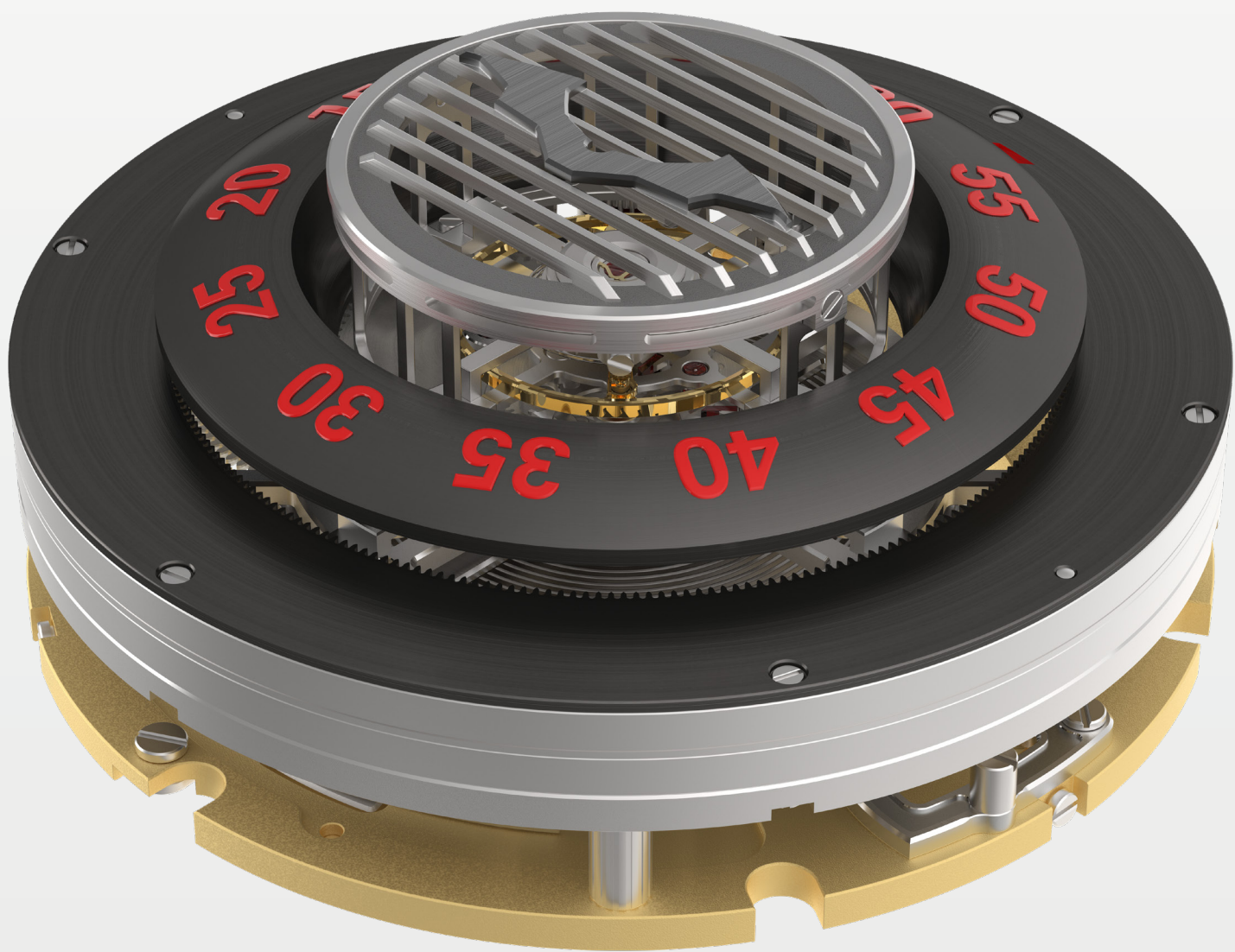
10 PIECES

45mm, grade 5 titanium



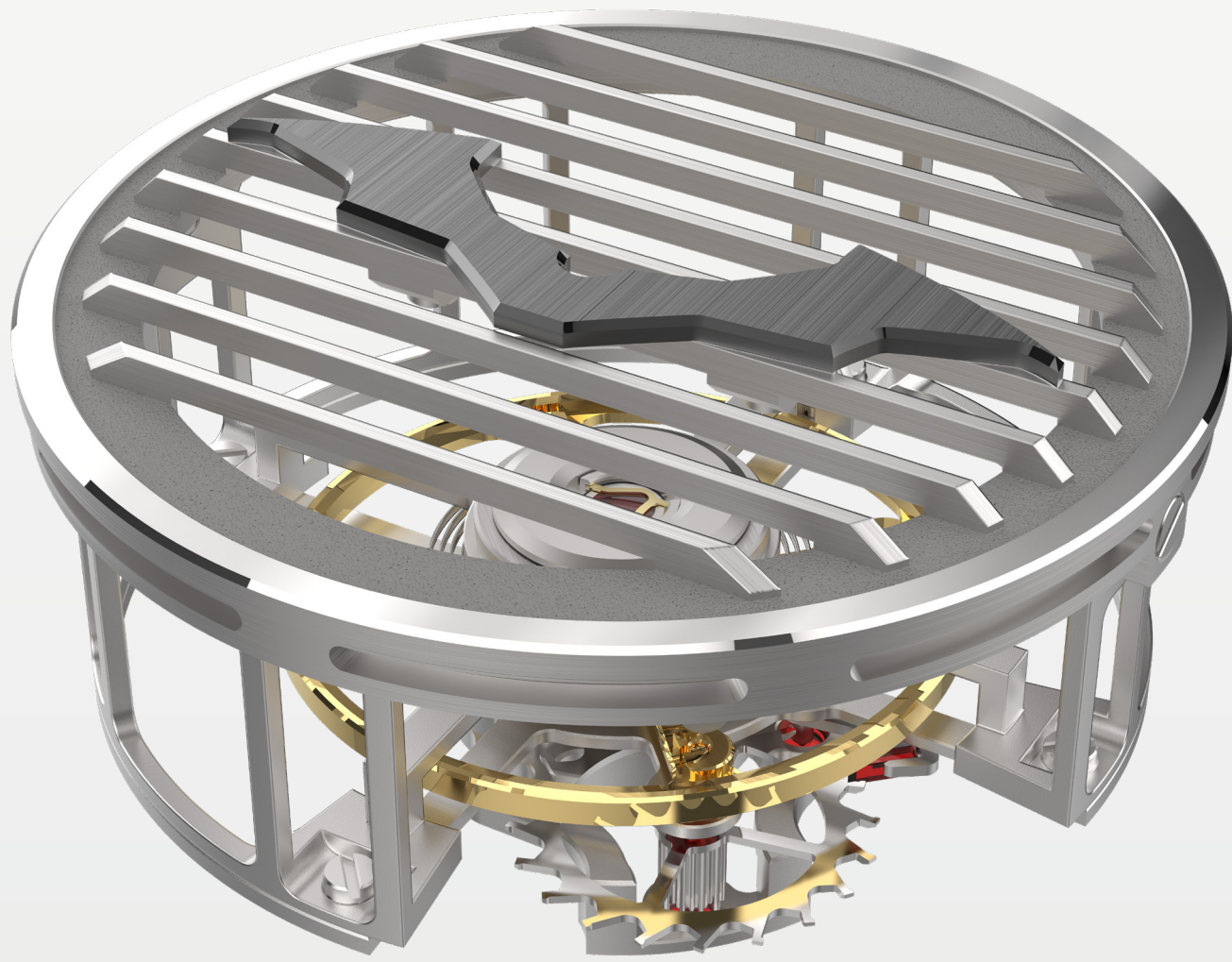
A Bat-Signal for the wrist

The wristwatch encapsulates the essence of Batman, featuring a dark styling, an ultra-precise movement, and the iconic Bat-Signal representation commonly used to summon the superhero. In this design, the Bat-Signal serves as a canvas for a central tourbillon cage shaped like the Bat emblem.



KS 7'001 Caliber

Continuing the seamless integration of form and function, the evolution of the KS 7'000 movement in The Batman Central Tourbillon watch has been a meticulous process. It involves the careful incorporation of essential elements inspired by The Batman film. The KS 7'001 remains a mechanical hand-wound 3 Hz caliber with a 5-day power reserve.



Bat-Signal-shaped tourbillon cage

Placed atop the cage of the central tourbillon, the miniature Bat-Signal's louvered surface allows light to filter through, providing glimpses of the regulator below. It completes one revolution per minute, adding a dynamic and captivating element to the watch.



Peripheral time display

The hour hand, shaped like Batman's ear, is affixed to a peripheral display mechanism orbiting 360° around the tourbillon. Presented on a black disk completing one revolution per hour, the minutes are marked with red lacquer.

At 12 o'clock, the «V for vengeance» also painted in red lacquer, indicates the minutes on the disk for precise timekeeping.



A 45mm titanium case

A domed sapphire crystal arcs over the dial in a low profile that complements the rounded edges of the 45mm black DLC-coated grade 5 titanium case.

Altogether, the movement and watch components total 283 parts, manufactured, hand-made finished, and assembled on-site by Kross Studio.

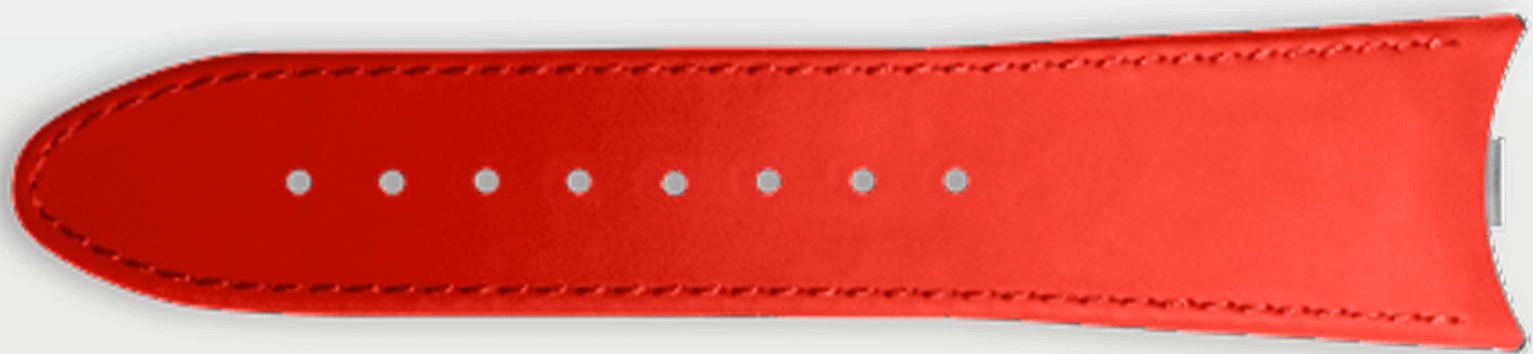
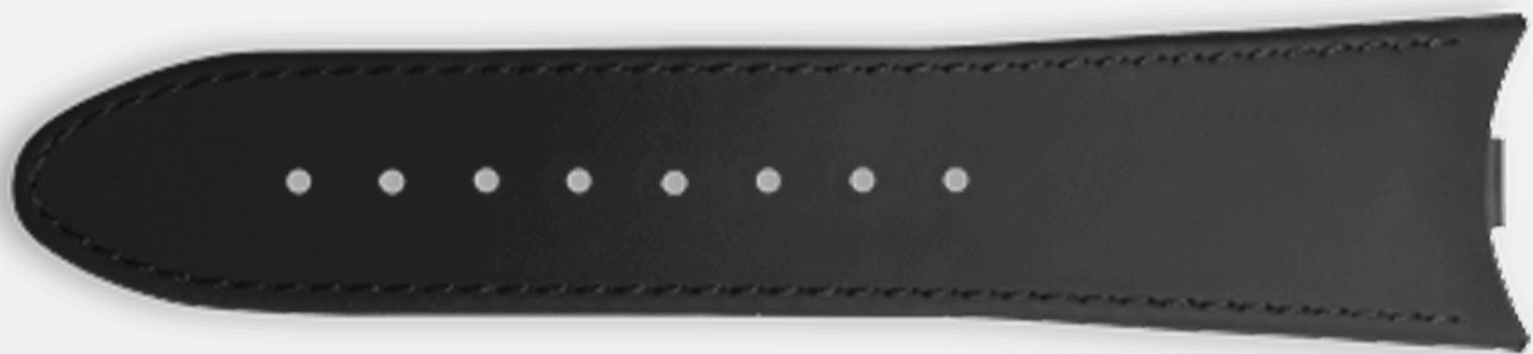
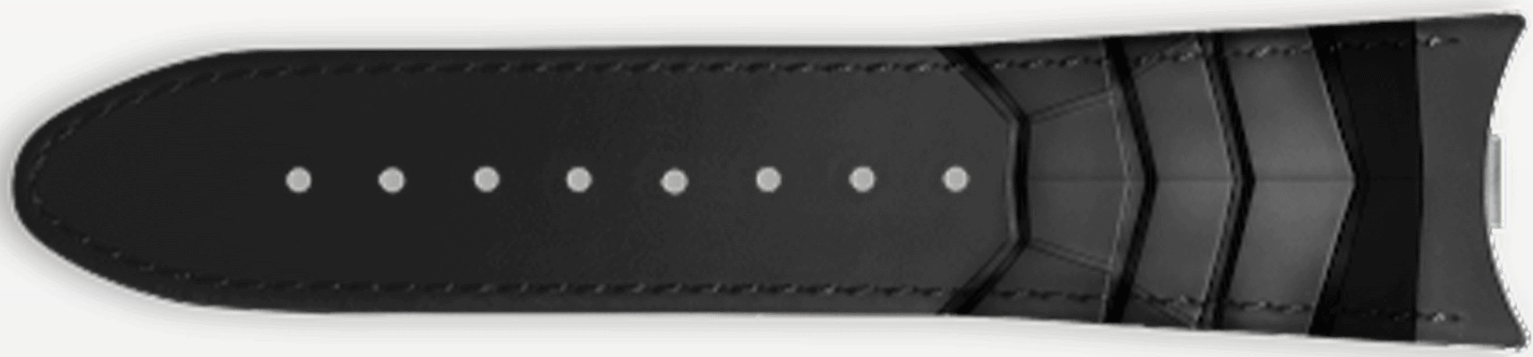


Case Back

On the back of the case, the Studio's signature cross emblem is delicately emphasized on the barrel bridge. The fully skeletonized design provides a deep insight into the meticulously detailed components, showcasing wheels adorned with a Batarang symbol.

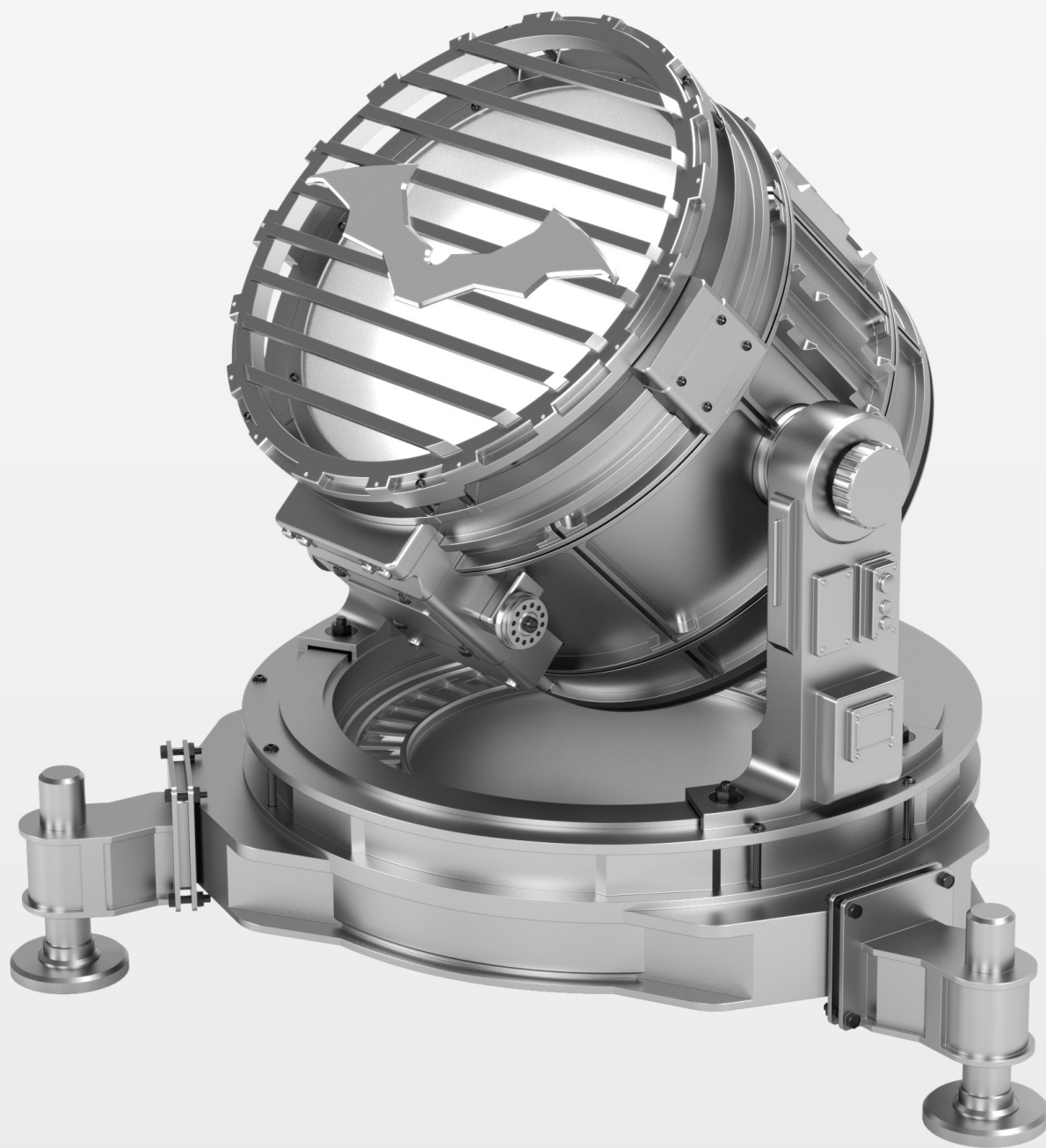


Winding the watch and setting the time are effortlessly achieved using the «D-ring crown» on the case back and the «Time Set» push button, strategically positioned at 3 o'clock along the watch's edge. This system not only maintains design symmetry and enhances comfort compared to a traditional crown, but it also facilitates quicker winding, adding a practical touch to the overall experience.



Interchangeable straps

The timepiece comes with three sets of straps: the first is in black calf leather embossed with the pattern of Batman's armor, the second is made of black rubber and the third is composed of red rubber. The straps can be easily changed thanks to our interchangeable strap system, facilitated by two quick-release buttons conveniently placed on the underside of the case, allowing for seamless customization based on individual preferences.



The Bat-Signal functional sculpture

Fully made of aluminum, Kross Studio's Bat-Signal illuminates, further immersing the collector into the universe of Gotham City and also conceals a dedicated space on his backside to safely store The Batman tourbillon or any other watch.

Height 235mm (12.8 inches)	Diameter 455mm (17.9 inches)	Projector Diameter 205mm (8.1 inches)	
Weight ≈12kg (≈423 ounces)	Material Aluminum	Power 12-15W	LED 3000K (warm white)

Technical Specifications

CASE

Diameter
45mm

Thickness
20mm

**Thickness without
crystal**
12.5mm

Material
Grade 5 titanium
with black DLC
treatment

Crystal
Dome-shaped anti-
reflective sapphire
crystal

Case Back
Grade 5 titanium

Crown
D-ring crown in
grade 5 titanium

Water Resistance
30m or 3ATM

MOVEMENT

Caliber
KS 7'001

Functions
Manual-winding
central tourbillon

Height
14.78mm

Overall Diameter
33mm

Power Reserve
5 days

Frequency
21'600 bph / 3 Hz

Jewels
27



Technical Specifications

DIAL & HANDS

Dial

Black inner bezel with black minute markers

Appliques

Rhodium-plated hour markers with black Super-LumiNova®

Hands

Rhodium-plated hour hand, black minute disc with red decals

STRAPS & CLASP

Interchangeable straps

Black calf leather strap embossed with the pattern of Batman's armor, black stitching

Red rubber strap, red stitching

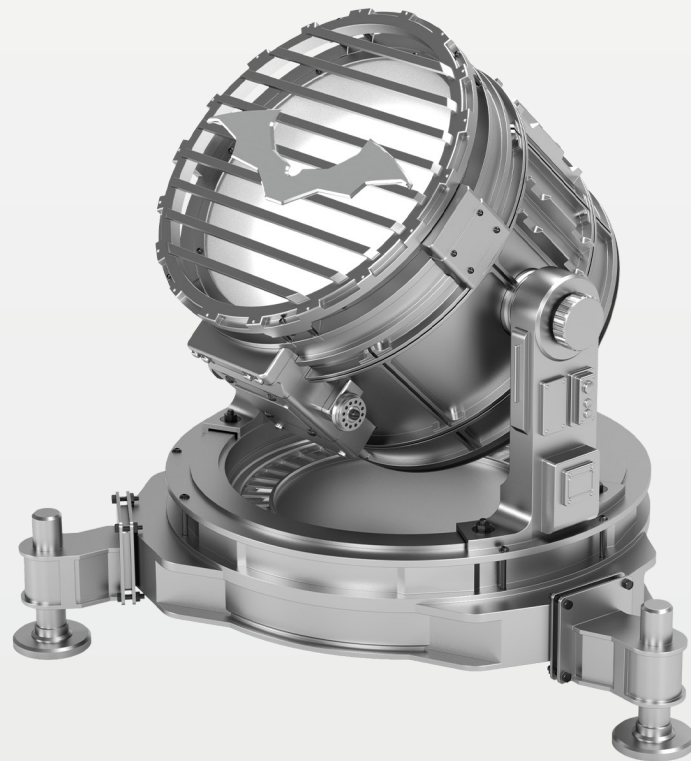
Black rubber strap, black stitching

Clasp

Grade 5 titanium deployant buckle clasp



In the set



The Batman central tourbillon watch

The Bat-Signal functional sculpture

Set of three straps

The Batman owner's book

Microfiber cloth and art gloves