

**KROSS X
STUDIO**

**SPACE JAM COLLECTOR SET
USER MANUAL**

TABLE OF CONTENTS

KROSS STUDIO B-BALL

Kross Studio B-BALL 3

Opening the B-BALL 4

SPACE JAM TOURBILLON

Overview 5

Movement winding 7

Time setting 8

Interchangeable straps 9

Buckle opening 10

Buckle release 11

GENERAL

Regular care 12

Tech specs 13

KROSS STUDIO B-BALL

The watch comes along with a stand alone functional art piece made of wood and aluminum: The Kross Studio B-BALL.

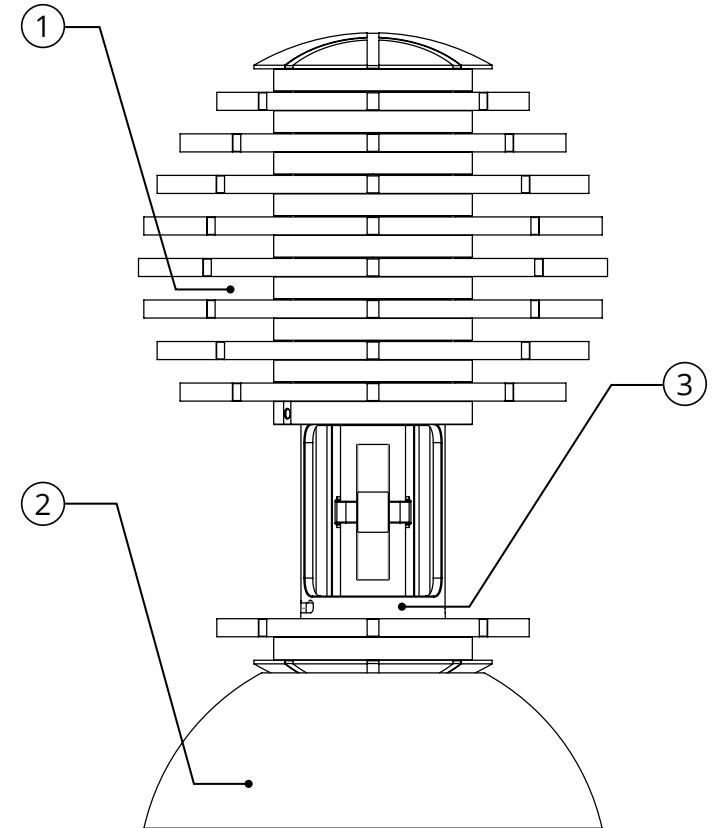
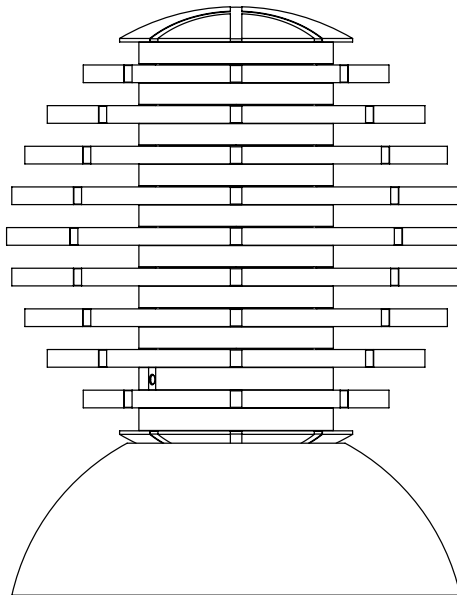
It is composed of 11 wood layers affixed on a central pillar, placed on its base.

A watch can be stored in the heart of the sculpture, revealed by lifting the ball straight upward.

We recommend to put on gloves before manipulating the Kross Studio B-BALL.

INDICATIONS

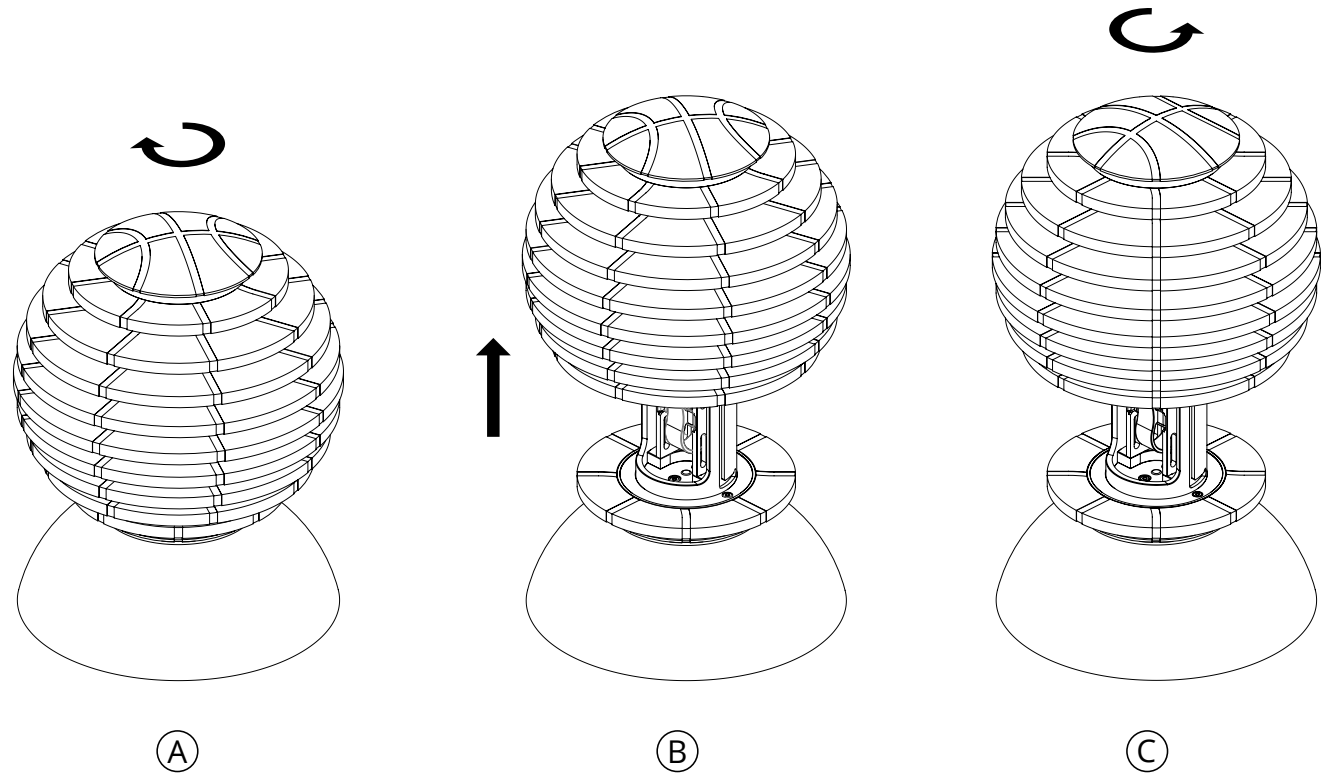
- 1** Basketball
- 2** Base
- 3** Inner part



OPENING THE B-BALL

- (A) Put your hands on both sides of the upper part. Turn it 30 degrees to the left.
- (B) Lift it gently until you feel a slight resistance.
- (C) Then turn the part 30 degrees in the opposite direction to lock the position.

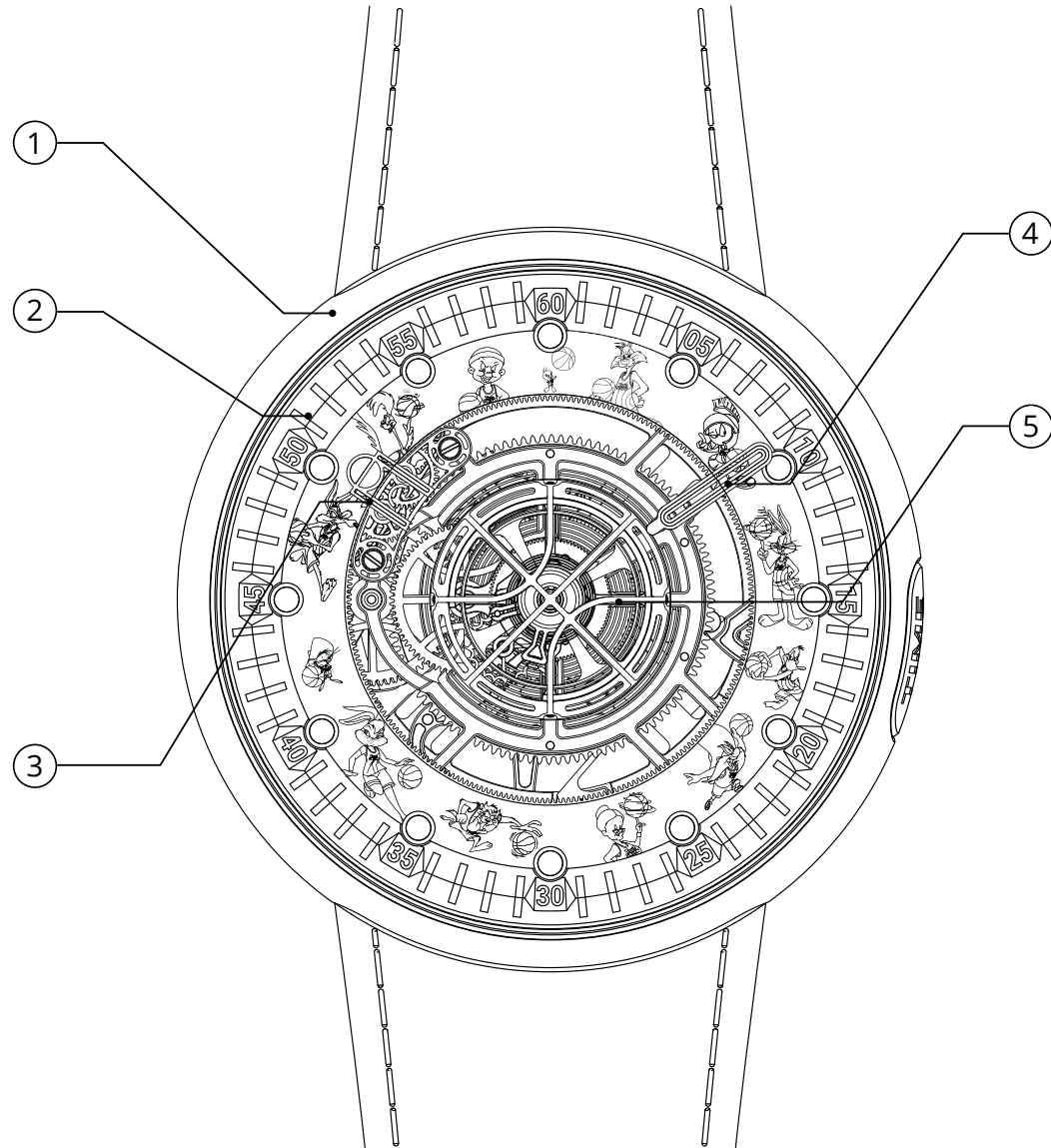
Reverse the process to close the basketball case properly.



SPACE JAM TOURBILLON OVERVIEW

FRONT

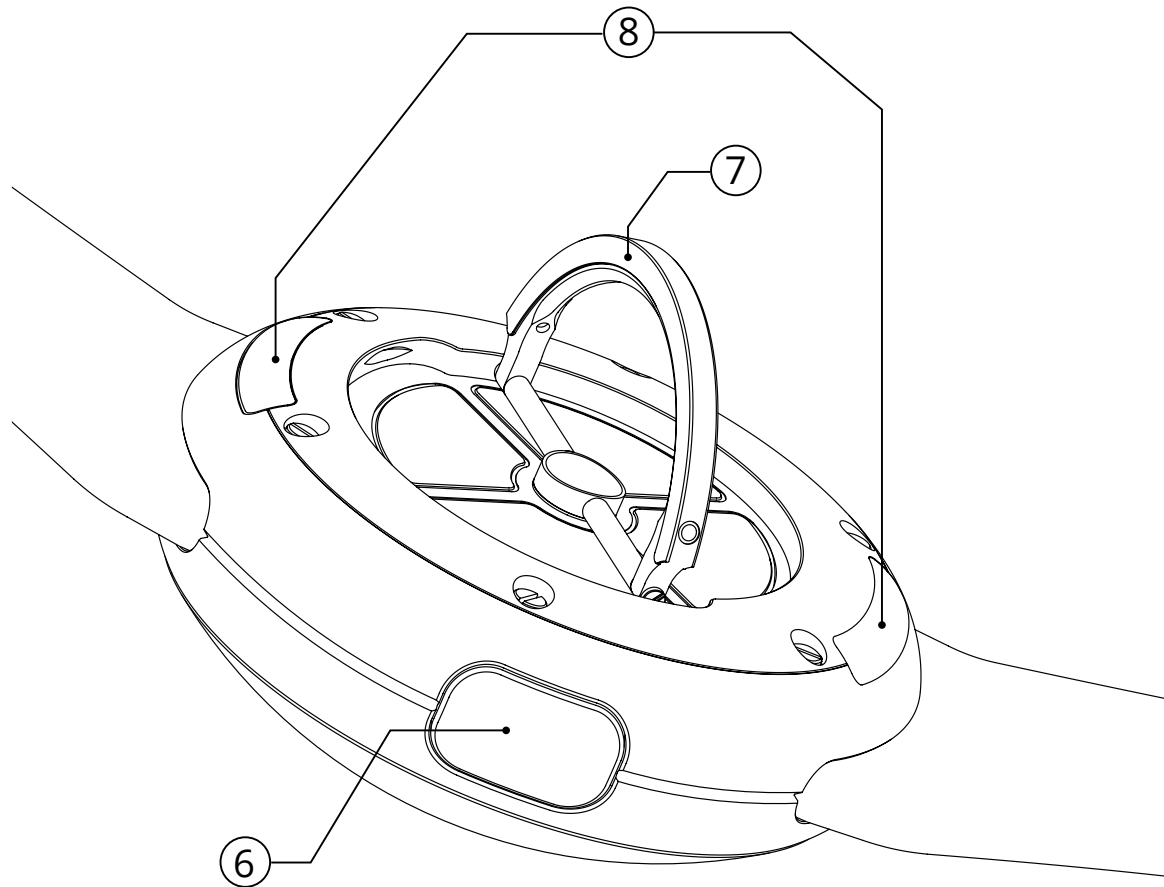
- 1 Case
- 2 Dial
- 3 Hour hand
- 4 Minute hand
- 5 Tourbillon cage



SPACE JAM TOURBILLON OVERVIEW

BACK

- 6 Time set push button
- 7 D-Ring crown
- 8 Strap release push buttons
"Push to release"

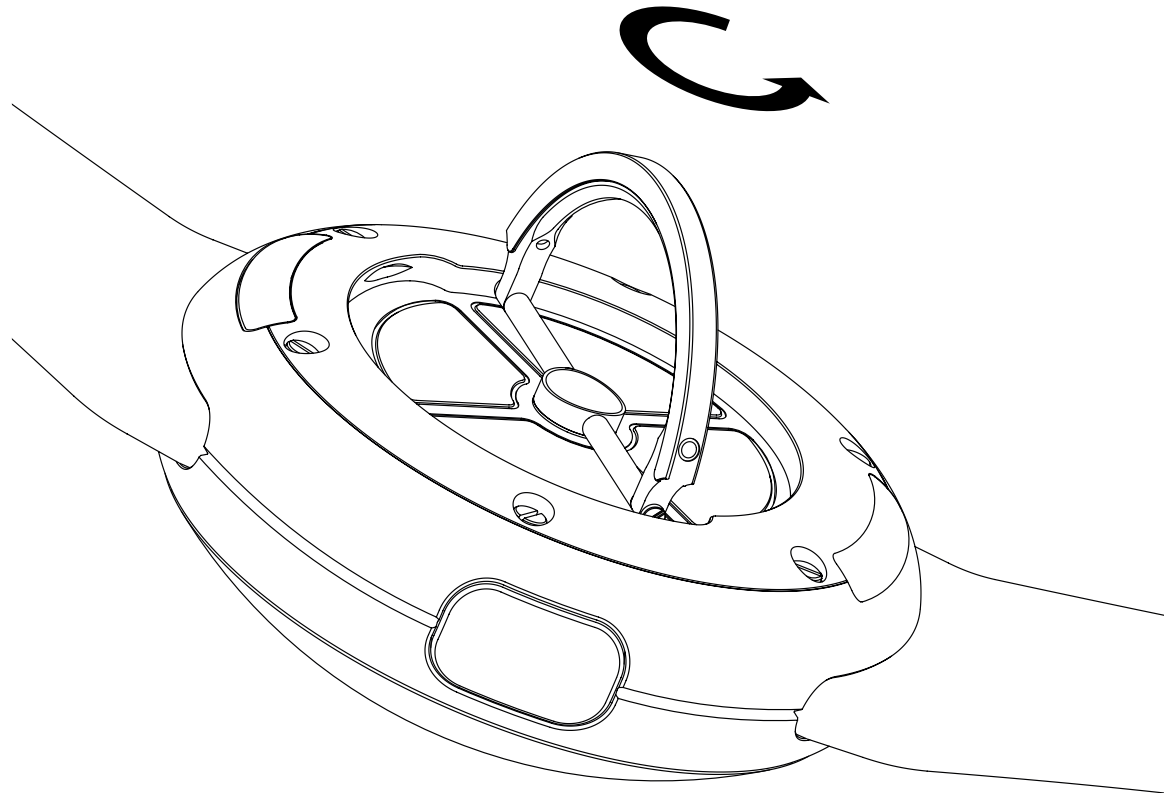


MOVEMENT WINDING

The manual-winding mechanical movement developed in-house delivers a 5 day power reserve. After this period, you must wind your watch to provide the necessary energy for it to run.

In order to maintain perfect symmetry, the Space Jam Tourbillon case has no traditional crown. On the case back, a D-ring crown is stowed out of sight to help maintain the timepiece's sleek, space-age styling. This mechanism enables faster winding than with a traditional crown. To wind your watch, lift the D-ring crown and turn it counterclockwise until you feel some resistance, meaning that the watch has been wound.

To fully wind your watch, 23 complete turns are needed.



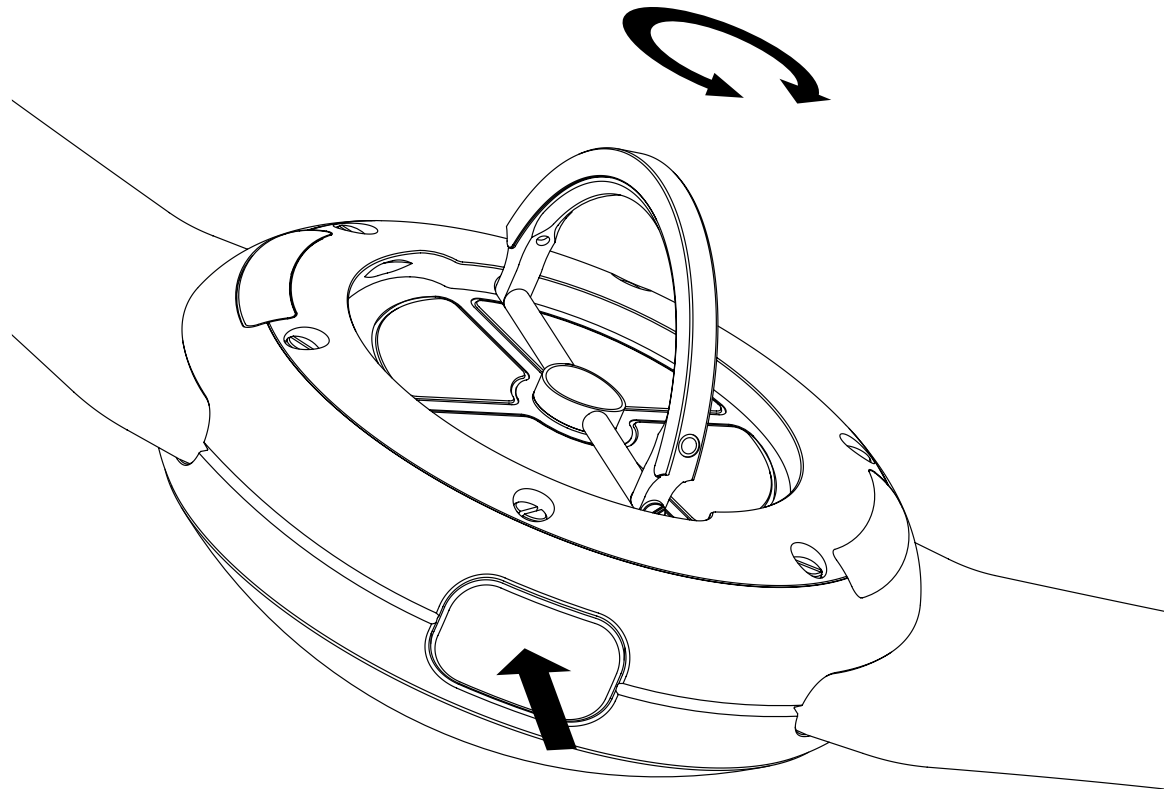
TIME SETTING

The hours and minutes are displayed in a unique peripheral format, made possible by a planetary gear system that orbits 360° around the tourbillon.

To set the time, press the "Time Set" push button. Lift the D-ring crown - located on the case-back - synchronously and turn clockwise until the exact time is set. When setting the time, there may be some resistance as the watch will be wound simultaneously.

You can then gently reposition the D-ring crown back to its initial position, in the space provided for this purpose on the case-back.s

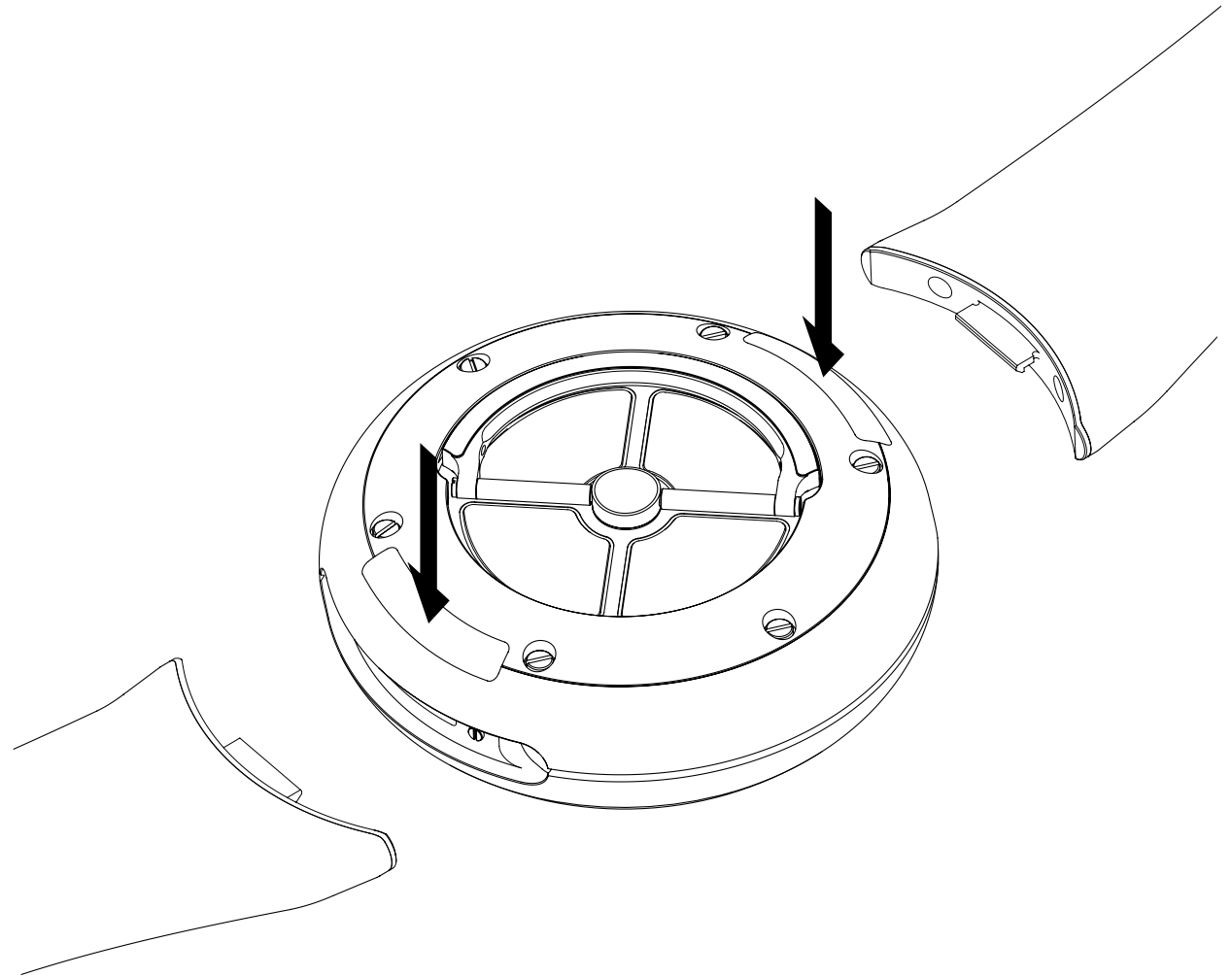
Note: You might turn the D-ring crown counterclockwise. In this case, go back 10 minutes before the actual time. Then, turn it clockwise until adjusting the exact time. It enables the gear train to go back to its functioning position.



INTERCHANGEABLE STRAPS

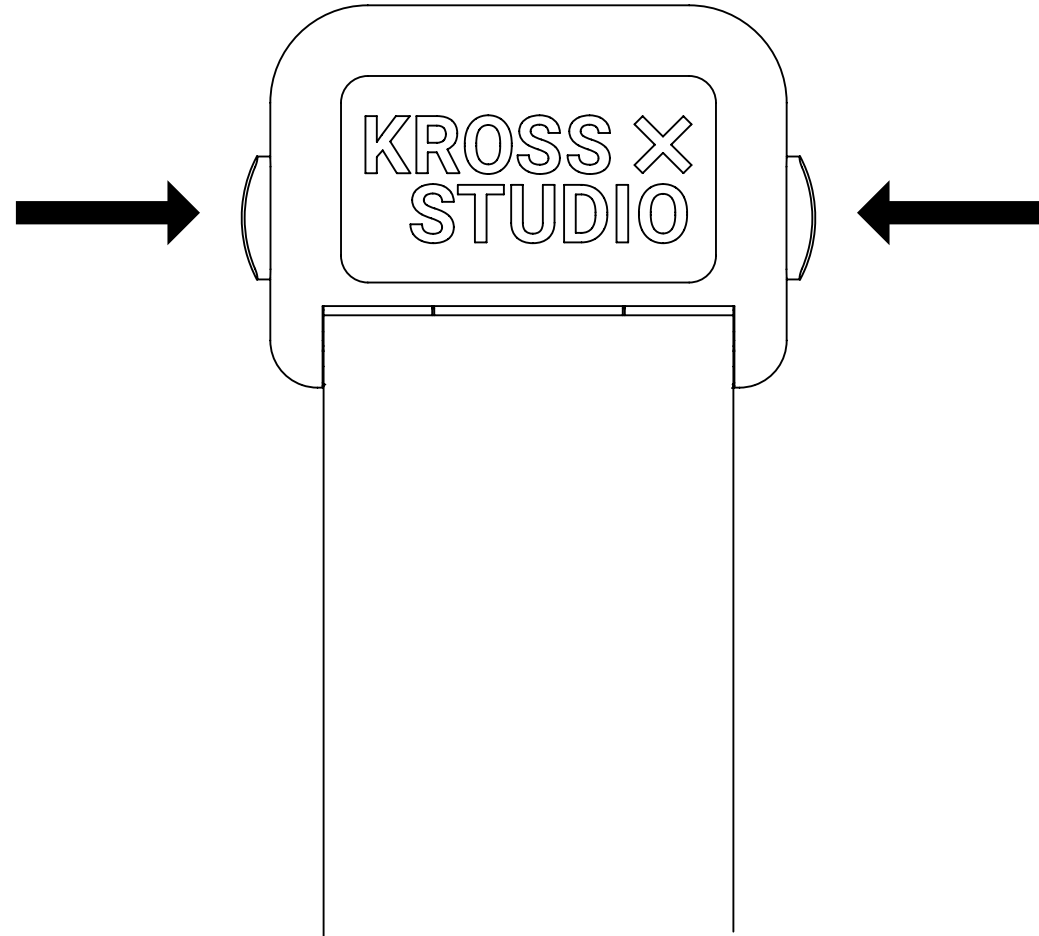
The Space Jam Tourbillon is equipped with an interchangeable strap system, a practical feature where two quick-release buttons are hidden on the underside of the case.

Push each button to release the strap.



BUCKLE OPENING

Press simultaneously the two push buttons located on the sides of the clasp to open the buckle.

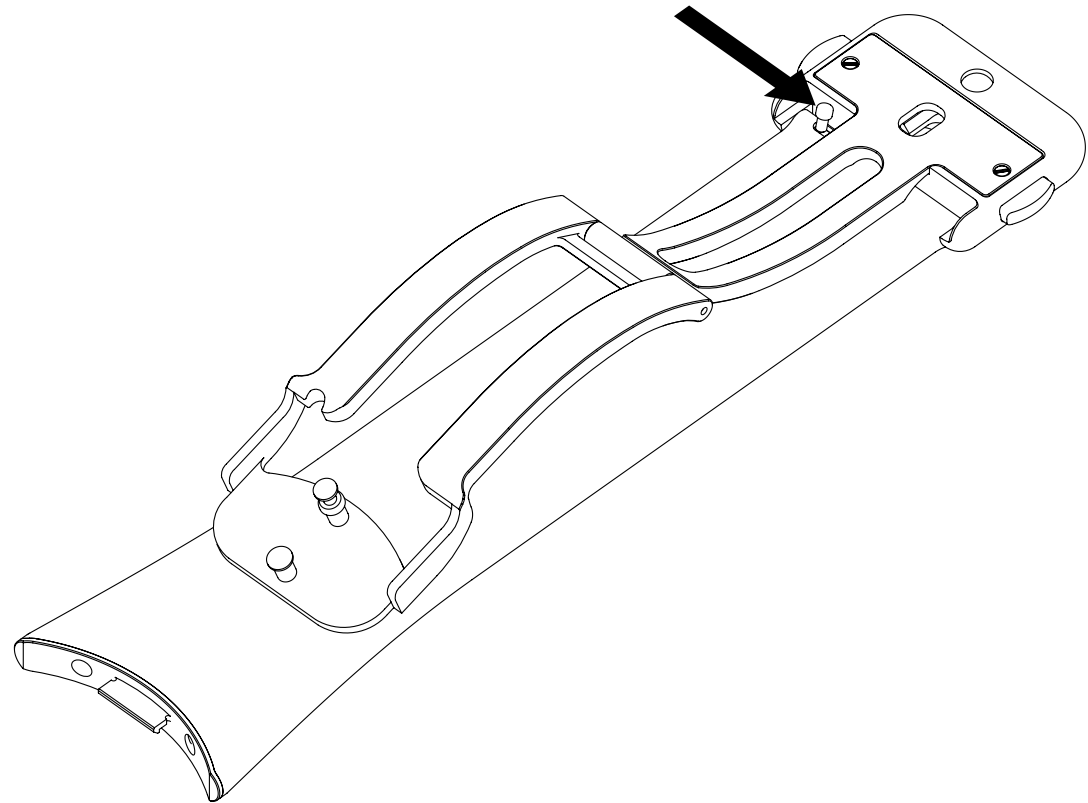


BUCKLE RELEASE

To detach the buckle, no tools are required. Simply pull the lever located under the clasp and it will release the strap.

To fix the buckle, start by inserting the right side of the buckle on the spring bar. Pull the lever and insert the left side.

Make sure the spring bar is securely in place by pulling few times the strap.



REGULAR CARE

REGULAR CARE OF THE KROSS STUDIO B-BALL

Use a smooth microfiber cloth to clean the sculpture. Gloves are recommended to prevent any risk of scratching. If needed, you may use a solvent-free cleaner to spray on the cloth. Do not spray any liquid directly on the box.

REGULAR CARE OF THE SPACE JAM TOURBILLON

The tourbillon remains one of the main horological complications and bears the mark of the most talented watchmakers. Caution and care are required to ensure the longevity of your watch. To handle it properly, a set of gloves and a soft microfiber cloth are provided in a box along with your Space Jam Tourbillon watch. We strongly recommend wearing gloves every time the watch is manipulated for winding or time setting. It will enable a better gripping and help prevent any risk of scratching.

The watch has a water resistance of 30 meters. We recommend avoiding sea water. Clean regularly your watch by wiping down carefully with the soft microfiber cloth. If needed, you may use a solvent-free cleaner to spray on the cloth. Do not spray any liquid directly on the watch.

TECH SPECS

SPACE JAM TOURBILLON

Parts
281

Limited Edition
10 numbered pieces

Movement

Caliber
KS 7'000

Jewels
27

Functions
Manual-winding central tourbillon

Power reserve
5 days

Parts
203

Frequency
21'600 bph / 3 Hz

Case

Materials
Grade 5 titanium

Diameter
45 mm

Dome-shaped anti-reflective
sapphire crystal

Thickness
20 mm

Water Resistance
30m or 3 ATM

Thickness without crystal
12,5 mm

Case Back

Materials
Grade 5 titanium

D-ring crown

4 anti-reflective sapphire crystals

Interchangeable Straps

1. Blue calf leather strap, black stitching, black rubber inlay
 2. Orange laser abraded rubber, black stitching, black rubber inlay
- Grade 5 titanium deployant buckle clasp

KROSS STUDIO B-BALL

Materials
Oak wood
Aluminum

Weight
6,5 Kg

Dimensions

Height

Closed
333 mm

Opened
440,5 mm

Diameter

B-BALL
260 mm

Base
253,7 mm